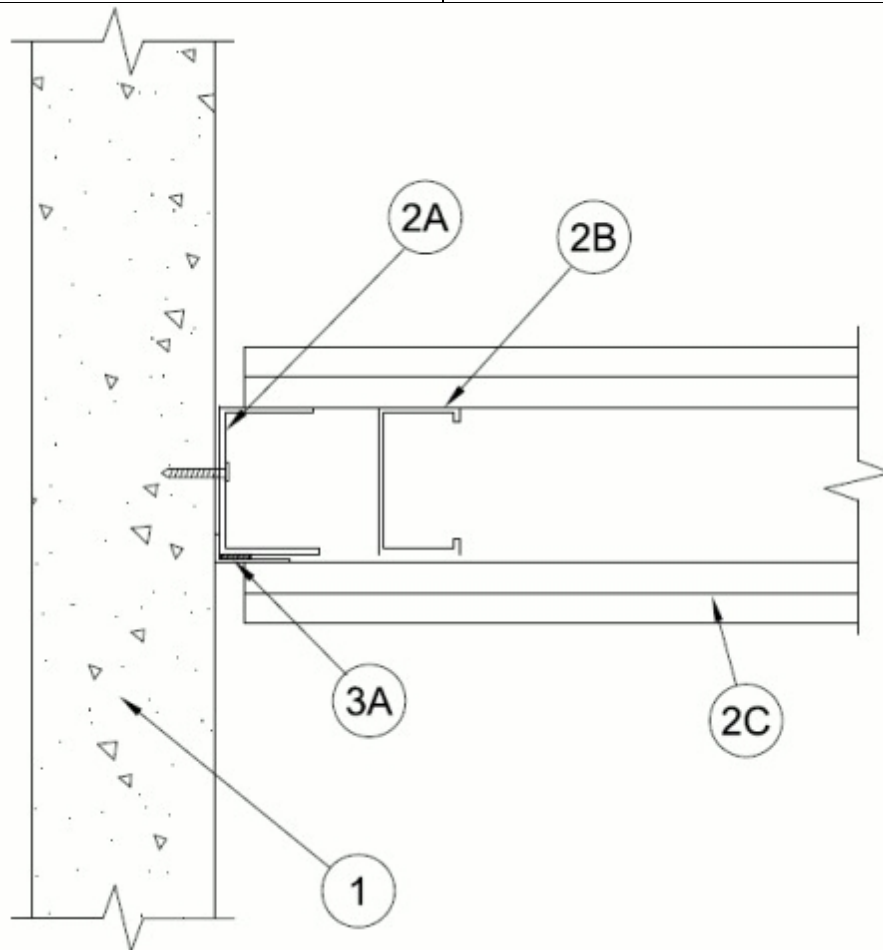




### System No. WW-D-0148

October 24, 2013

ANSI/UL2079	CAN/ULC S115
Assembly Rating — 1 and 2 Hr (See Item 2)	F Rating — 1 and 2 Hr (See Item 2)
Nominal Joint Width - 1/2 in.	FT Rating — 1 and 2 Hr (See Item 2)
Class II and III Movement Capabilities — 100% Compression or Extension	FH Rating — 1 and 2 Hr (See Item 2)
L Rating at Ambient — Less than 1 CFM/Lin Ft	FTH Rating — 1 and 2 Hr (See Item 2)
L Rating at 400°F — Less than 1 CFM/Lin Ft	Nominal Joint Width - 1/2 in.
	Class II and III Movement Capabilities — 100% Compression or Extension
	L Rating at Ambient — Less than 1 CFM/Lin Ft
	L Rating at 400°F — Less than 1 CFM/Lin Ft



1. **Concrete Wall Assembly** — Min 4-1/2 in. (114 mm) thick reinforced lightweight or normal weight (100-150 pcf or 1600-2400 kg/m<sup>3</sup>) structural concrete. Wall may also be constructed of any UL Classified **Concrete Blocks**\*.

See **Concrete Blocks** (CAZT) category in the Fire Resistance Directory for names of manufacturers.

2. **Gypsum Wall Assembly** — The 1 or 2 h fire-rated gypsum board/steel stud wall assembly shall be constructed of the

materials and in the manner specified in the individual U400, V400 or W400 Series Wall and Partition Design in the UL Fire Resistance Directory. The wall shall include the following construction features:

A. **Steel Runners** — Runners of wall assembly shall consist of min No. 25 gauge galv steel channels sized to same width as steel studs (Item 2B). Runner to be provided with min 2 in. (51 mm) flanges. Runner secured to concrete wall assembly with steel concrete fasteners spaced 12 in. (305 mm) OC.

B. **Studs** — Steel studs to be min 3-5/8 in. (92 mm) wide. First stud adjacent to concrete wall assembly located max 4 in. (102 mm) from wall face. Stud spacing not to exceed 24 in. (610 mm) OC.

C. **Gypsum Board\*** — Gypsum board 5/8 in. (16 mm) thick, applied on both sides of wall as specified in the individual Wall and Partition Design except that a max 1/2 in. (13 mm) gap shall be maintained between the side of gypsum board and face of concrete wall assembly. The screws attaching the gypsum board to the first stud shall be located max 4 in. (102 mm) from face of concrete wall assembly. Gypsum board not attached to side runner.

**The hourly fire rating of the joint system is equal to the hourly rating of the gypsum wall assembly.**

**3. Joint System — Max separation between side of gypsum board and face of concrete wall assembly (at time of installation) is 1/2 in. (13 mm).** The joint system is designed to accommodate a max 100 percent compression or extension from its installed width.

A. **Fill, Void or Cavity Material\*** — Min 25 ga composite steel angle with one 5/8 in. (16 mm) leg and one 1-1/2 in (38 mm) leg with an intumescent strip affixed along the inside 1-1/2 in (38 mm) leg. The 5/8 in. leg of steel angle is friction fit between the web of the side wall runner and the concrete wall. Steel angle is required on one side of wall only (either side).

**RECTORSEAL** — Track Safe

\*Bearing the UL Classification Mark