



System No. WW-D-0101

June 01, 2011

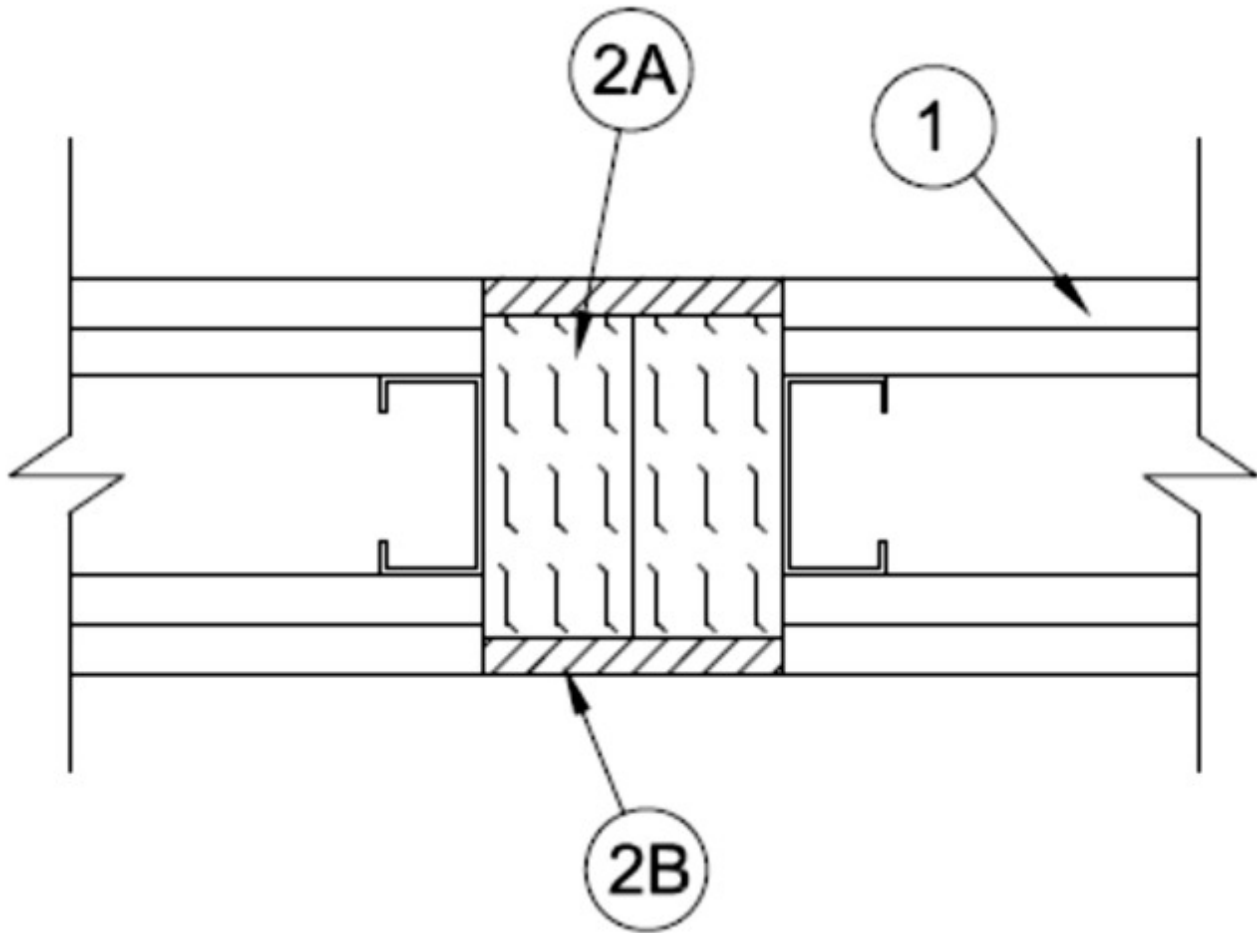
Assembly Ratings - 1, 2 and 3 Hr (See Item 1)

Nominal Joint Width - 2 in.

Class II Movement Capabilities - 15% Compression or Extension

L Rating at Ambient — Less than 1 CFM/ft

L Rating at 400° F — Less than 1 CFM/ft



1. **Wall Assembly** — Nonbearing 1, 2 or 3 hr fire rated gypsum board/steel stud wall assembly constructed of the materials and in the manner described in the individual U400 or V400 Series Wall and Partition Designs in the UL Fire Resistance Directory and shall include the following construction features:

A. **Studs** — Min 2-1/2 in. (64 mm) wide steel studs spaced max 24 in. (610 mm) OC.

A. **Gypsum Board*** — The gypsum board type, thickness, number of layers, fastener type and sheet orientation shall be as specified in the individual U400 or V400 Series Design in the UL Fire Resistance Directory.

The hourly assembly rating of the joint system is equal to the hourly fire rating of the wall assembly in which it is installed.

2. **Joint System** — Max width of joint (at time of installation of joint system) is 2 in. (51 mm). The joint system is designed to accommodate a max 15 percent compression or extension from its installed width. The joint system shall consist of the following:

A. **Forming Material*** — Min 4 pcf (64 kg/m³) mineral wool batt insulation installed in joint opening as a permanent form. Pieces of batt cut to min width of 3-3/4, 5 or 6-1/4 in. (95, 127 or 159 mm) for 1, 2 and 3 hr rated assemblies, respectively. Pieces of batt installed edge-first into joint opening, parallel with joint direction, such that batt sections are compressed min 50 percent in thickness and such that the compressed batt sections are flush with both surfaces of wall.

FIBREX INSULATIONS INC — FBX Safing Insulation

ROCK WOOL MANUFACTURING CO — Delta Board

ROCKWOOL MALAYSIA SDN BHD — SAFE

ROXUL INC — SAFE

B. **Fill, Void or Cavity Material*** — Min 1/8 in. (3 mm) thickness of fill material applied over the forming material on both surfaces of wall. Sealant installed with a min 1/2 in. (13 mm) overlap onto gypsum board (Item 1B) on both sides of joint on both surfaces of wall.

RECTORSEAL — Biostop 150+, Biostop 750, Biostop 800, Metacaulk 150+, Metacaulk 1200, Metacaulk 1500, Flamesafe FS3000.

*Bearing the UL Classification Mark