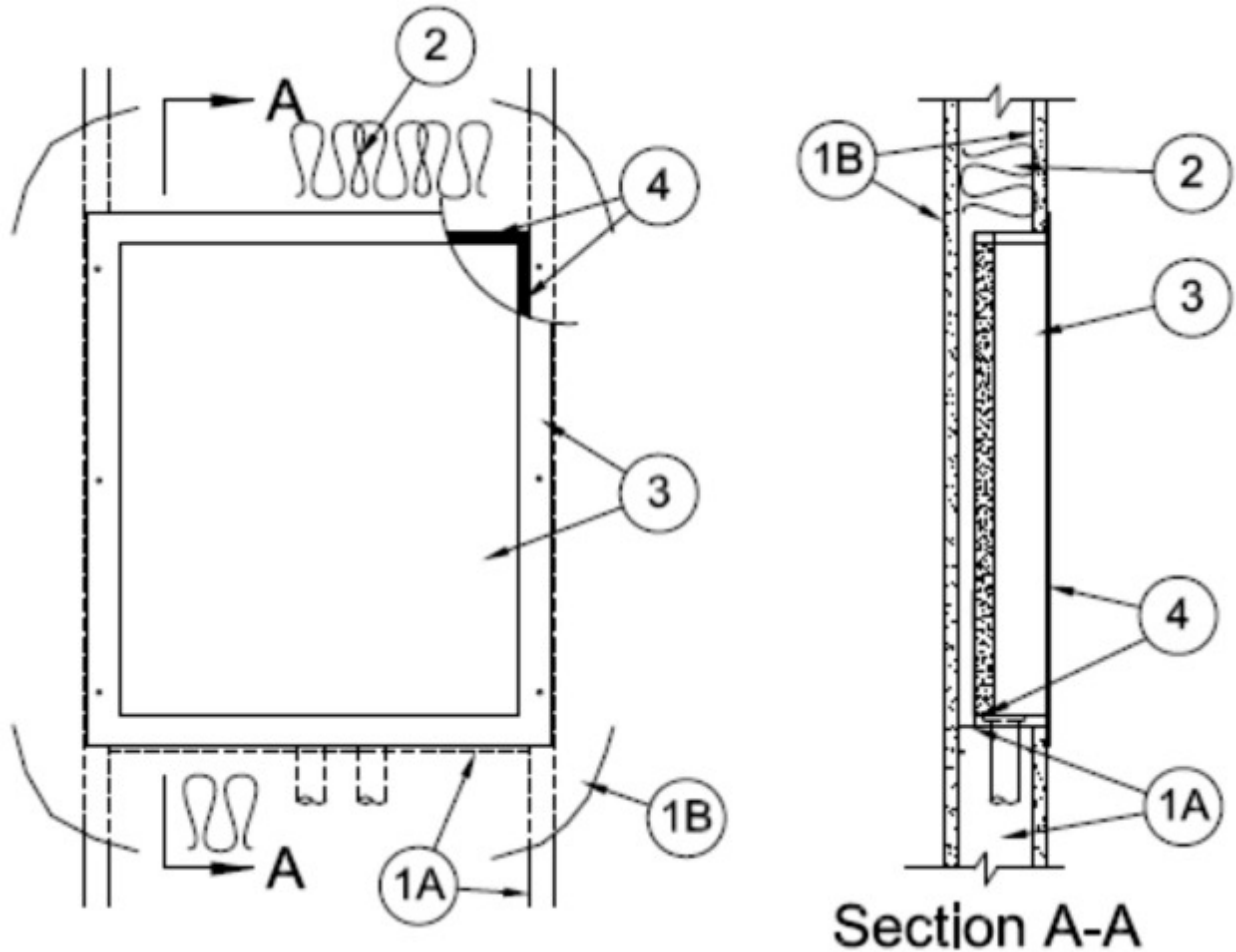


System No. W-L-7203

June 02, 2011

F Ratings — 1 and 2 Hr (See Item 1)

T Ratings — 1 and 2 Hr (See Item 1)



1. Wall Assembly — The 1 or 2 hr fire rated framed gypsum board wall assembly shall be constructed of the materials and in the manner specified in the individual U400 or V400 Series Wall and Partition Designs in the UL Fire Resistance Directory and shall include the following construction features:

A. Studs — Wall framing shall consist of steel channel studs. Steel studs to be min 3-1/2 in. (89 mm) wide and spaced max 24 in. (610 mm) OC.

B. Gypsum Board* — The gypsum board type, thickness, number of layers and orientation shall be, as specified in the individual Wall and Partition Design. Size of cutout made to accommodate steel box (Item 3) is to be 1/4 in. (6 mm) wider and 1/4 in. (6 mm) higher than the width and height of the steel box.

The hourly F and T Ratings are equal to the hourly rating of the wall assembly.

2. Insulation — The spaces between the sides of the steel box and the studs, the space between the back of the box and the gypsum board and the stud cavities above, below and on each side of the steel box are to be tightly packed with min R19 glass fiber batt insulation or mineral wool insulation to the full depth of the stud cavity.

3. Steel Box — Min 16 gauge, max 24 in. (610 mm) wide by max 24 in. (610 mm) high by max 4 in. (102 mm) deep recessed steel utility box with screw cover or hinged steel door installed through one side of wall only. Steel box secured to steel studs with steel screws. Bottom and/or top of steel box may be penetrated by up to five nom 1 in. (25 mm) diam steel EMT conduits and up to four nom 3/4 (19 mm) steel EMT conduits. Open conduits which terminate within the box shall be

sealed with caulk (Item 5) or plugged with a ball of putty (Item 6).

4. **Fill, Void or Cavity Materials*** — Nom 1/16 in. (2 mm) thick intumescent material supplied in 1, 6 and 12 in. (25, 152 and 305 mm) wide strips. Min one layer of intumescent material applied to inside perimeter of box (item 3) closest to cover or door. Two 12 in. (305 mm) wide strips cut to the width of the box to completely cover the interior surface of the box cover. Two 6 in. (152 mm) wide cut to the width of the box to cover the top and bottom of the interior back panel of the box.

RECTORSEAL — Metacaulk Joint Strip, Biostop Joint Strip, FlameSafe Joint Strip.

5. **Fill, Void or Cavity Materials* - Caulk or Sealant** — (Not Shown) - Nom 5/8 in. (16 mm) thickness of fill material applied within the annulus, flush with surface of wall. Nom 1/4 in. (6 mm) in diam bead of caulk applied to the point contact locations at the box/gypsum interface. The end of each open pipe or tube which terminates within the box shall be sealed with a min 1/2 in. (13 mm) depth of caulk.

RECTORSEAL — Metacaulk 1000, Biostop 500+, FlameSafe 1900

6. **Fill, Void or Cavity Materials* - Putty** — (Not Shown) - As an alternate to the caulk (Item 5), the end of each conduit which terminates within the box may be sealed with a min 1/2 in. (13 mm) depth of putty fill material.

RECTORSEAL — Metacaulk Fire Rated Putty, Biostop Fire Rated Putty

*Bearing the UL Classification Mark