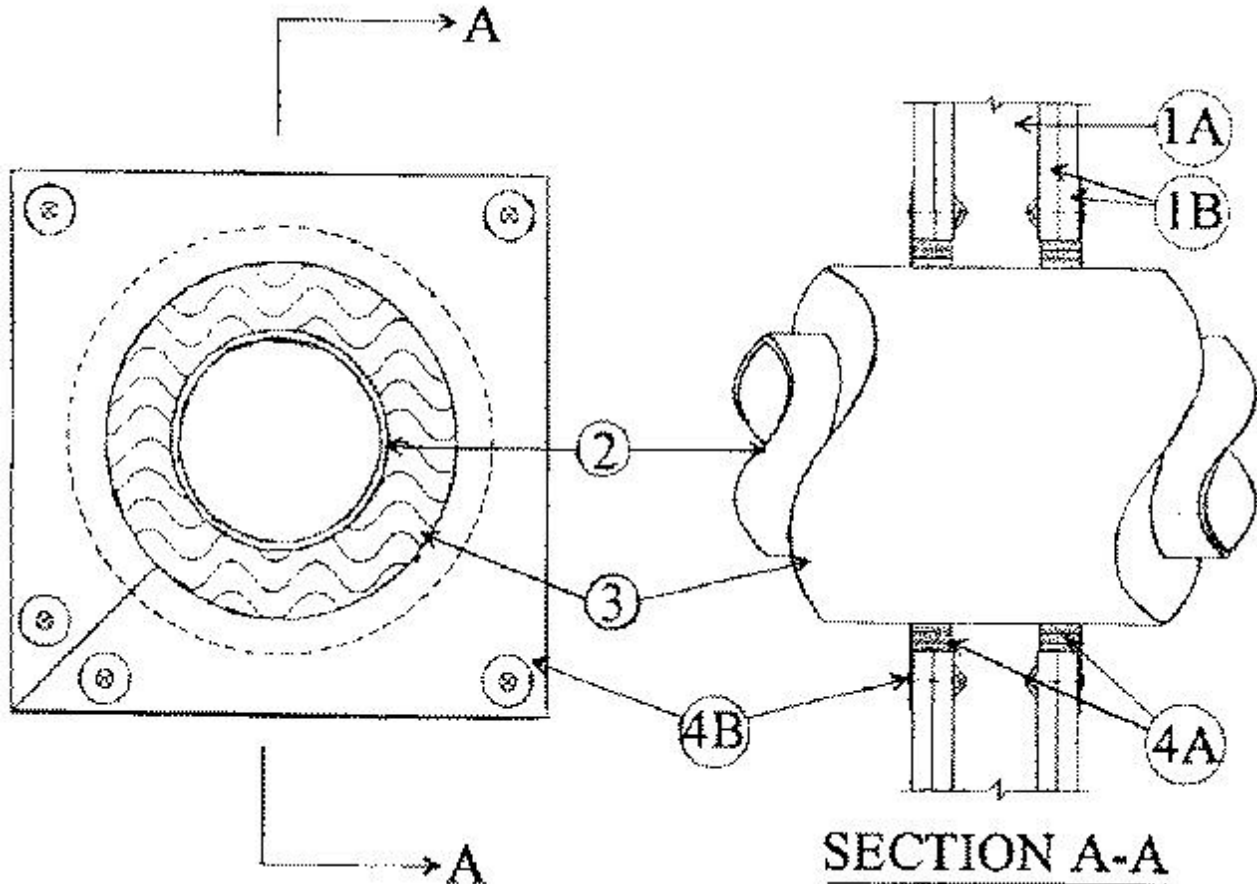


System No. W-L-5108

November 30, 1999

F Rating — 2 Hr

T Rating — 1-1/2 Hr



1. **Wall Assembly** — The fire-rated gypsum wallboard/stud wall assembly shall be constructed of the materials and in the manner specified in the individual U300 or U400 Series Wall and Partition Designs in the UL Fire Resistance Directory and shall include the following construction features:

A. **Studs** — Wall framing may consist of either wood studs or steel channel studs. Wood studs to consist of nom 2 by 4 in. lumber spaced 16 in. OC. Steel studs to be min 2-1/2 in. wide and spaced max 24 in. OC.

B. **Gypsum Board*** — Two layers of nom 5/8 in. thick gypsum wallboard, as specified in the individual Wall and Partition Design. Max diam of opening is 18 in.

2. **Through Penetrants** — One metallic pipe or tubing to be installed either concentrically or eccentrically within the firestop system. Pipe or tubing to be rigidly supported on both sides of floor or wall assembly. The following types and sizes of metallic pipes or tubing may be used:

A. **Steel Pipe** — Nom 10 in. diam (or smaller) Schedule 10 (or heavier) steel pipe.

B. **Iron Pipe** — Nom 10 in. diam (or smaller) cast on ductile iron pipe.

C. **Copper Tube** — Nom 4 in. diam (or smaller) Type L (or heavier) copper tube.

D. **Copper Pipe** — Nom 4 in. diam (or smaller) Regular (or heavier) copper pipe.

3. **Pipe Covering*** — Nom 3 in. thick hollow cylindrical heavy density (min 3.5 pcf) glass fiber units jacketed on the outside with an all service jacket. Longitudinal joints sealed with metal fasteners or factory-applied self-sealing lap tape. Transverse joints secured with metal fasteners or with butt tape supplied with the product. The annular space shall be min 1/2 in. to max 3/4 in.

See **Pipe and Equipment Covering — Materials** (BRGU) category in the Building Materials Directory for names of manufacturers. Any pipe covering material meeting the above specifications and bearing the UL Classification Marking with a Flame Spread Index of 25 or less and a Smoke Developed Index of 50 or less may be used.

4. **Firestop System** — The firestop system shall consist of the following:

A. **Fill, Void or Cavity Material* — Wrap Strip** — Nom 1/4 in. thick by 1 in. wide intumescent wrap strip. The wrap strip is continuously wrapped around the outer circumference of the pipe covering three times and slid into annular space 7/8 in. such that 1/8 in. of the wrap strip protrudes from the wall surface. When multiple wrap strips are used to achieve the required total length, the ends are to be butted end-to-end and held in place with aluminum tape. Wrap strips are installed on each side of wall.

RECTORSEAL — Biostop Wrap Strip

B. **Steel Cover Plate** — Min 0.021 in. thick (No. 25 MSG) galv steel cover plate extending a min of 2 in. beyond the periphery of the opening. The steel cover plate is to be placed over the wrap strips and tightly fitted around the pipe covering. Seam of steel cover plate cut from one corner to the center of the plate. Seam of steel cover plate tightly butted together and secured to both surfaces of wall by means of 1/8 in. diam by 3 in. long toggle bolts in conjunction with 3/16 in. by 3/4 in. and 1/4 in. by 1-1/4 in. steel fender washers.

*Bearing the UL Classification Mark