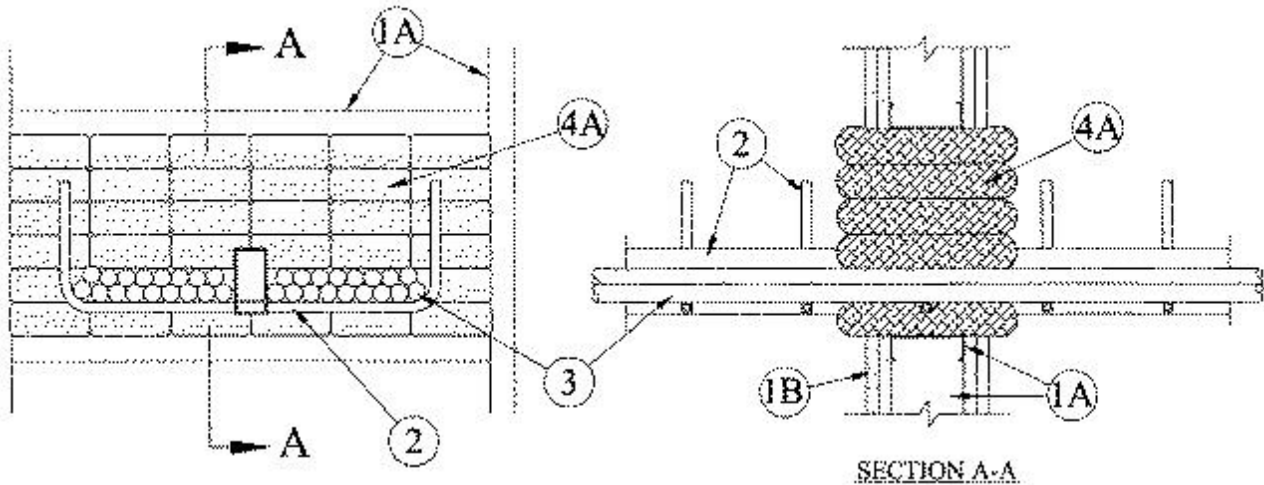




System No. W-L-4030

February 04, 2014

ANSI/UL1479 (ASTM E814)	CAN/ULC S115
F Rating — 1 and 2 Hr (See Item)	F Rating — 1 and 2 Hr (See Item)
T Rating — 0 Hr	FT Rating — 0 Hr
	FH Rating — 1 and 2 Hr (See Item)
	FTH Rating — 0 Hr



1. Wall Assembly — The 1 or 2 hr fire-rated gypsum board/stud wall assembly shall be constructed of the materials and in the manner described in the individual U300, U400, V400 or W400 Series Wall or Partition Design in the UL Fire Resistance Directory and shall include the following construction features:

A. Studs — Wall framing may consist of either wood studs or steel channel studs. Wood studs to consist of nom 2 by 4 in. (51 by 102 mm) lumber spaced 16 in. (406 mm) OC. Steel studs to be min 3-5/8 in. (92 mm) wide and spaced max 24 in. (610 mm) OC. Additional framing members to be installed in stud cavity containing the cable tray to form a rectangular box around the cable tray. In wood stud walls, framing members to be installed in such a manner to form a max 14-1/2 in. (368 mm) wide by max 10 in. (254 mm) high opening.

B. Gypsum Board* — 5/8 in. (16 mm) thick, 4 ft (1.2 mm) wide with square or tapered edges. The gypsum board type, thickness, number of layers, fastener type and sheet orientation shall be as specified in the individual Design in the UL Fire Resistance Directory. Max area of opening in steel stud walls is 280 sq in. (1806 cm²) with max dimensions of 28 in. (711 mm) Max area of opening in wood stud walls is limited to 145 sq in. (935 cm²) with max dimensions of 14-1/2 in. (368 mm).

The hourly F Rating of the firestop system is equal to the hourly fire rating of the wall assembly in which it is installed.

2. Cable Tray* — Max 24 in. (610 mm) wide by max 6 in. (152 mm) deep spine cable tray. The 1 in. (25 mm) wide by 4 in. (102 mm) deep tubular spine to be formed of min 0.081 (2 mm) thick extruded aluminum. The 6 in. (152 mm) deep "U" shaped rungs spaced 6 in. (152 mm) OC. Formed from 1/2 by 1/2 in. (13 by 13 mm) extruded aluminum. One cable tray to be installed in the opening. The annular space between the cable tray and the periphery of opening shall be a min of 1 in. (25 mm) to a max 3 in. (76 mm) Cable tray to be rigidly supported on both sides of wall assembly.

3. Cables — Max 3 in. (76 mm) cable loading depth within the cable tray. Any combination of the following types and sizes of cables may be used.

A. Max 200 pair No. 24 AWG (or smaller) copper conductor telephone cable with polyvinyl chloride (PVC) insulation and jacket materials.

B. Max 72 fibers — 62.5/125 fiber optic cable with PVC insulation and jacket materials.

C. Max RG/U (or smaller) coaxial copper conductor cable with fluorinated ethylene insulation and PVC jacket materials.

D. Max 4 pair No. 24 AWG (or smaller) copper conductor Category 3 telephone cable with PVC insulation and jacket materials.

4. **Firestop System** — The firestop system shall consist of the following:

A. **Fill, Void or Cavity Material* — Sealant** — (Not Shown) — Min 1/2 in. (13 mm) thickness of fill material applied within the cable bundles to seal any voids between cables and between cables and cable tray, within the center of the opening. After the installation of the pillow (Item 4B), additional sealant applied to seal any voids between the cables and pillows and between the pillows on both sides of wall.

RECTORSEAL — FlameSafe FS1900, FS1901, FS1905, FS1929 Metacaulk 1000, Metacaulk 350i, Biostop 350i or Biostop 500+

B. **Fill, Void or Cavity Material* — Pillows** — Max 9 in. (229 mm) long by 6 in. (152 mm) wide by 2 in. (51 mm) thick pillow-like material tightly packed into opening to fill the annular space between cables and periphery of opening and between cable tray and periphery of opening. Pillows to be installed with 6 in. (152 mm) dimension projecting through wall and centered within the opening.

RECTORSEAL — FlameSafe® Pillows, Metacaulk Pillows or Biostop Pillows

* Indicates such products shall bear the UL or cUL Certification Mark for jurisdictions employing the UL or cUL Certification (such as Canada), respectively.