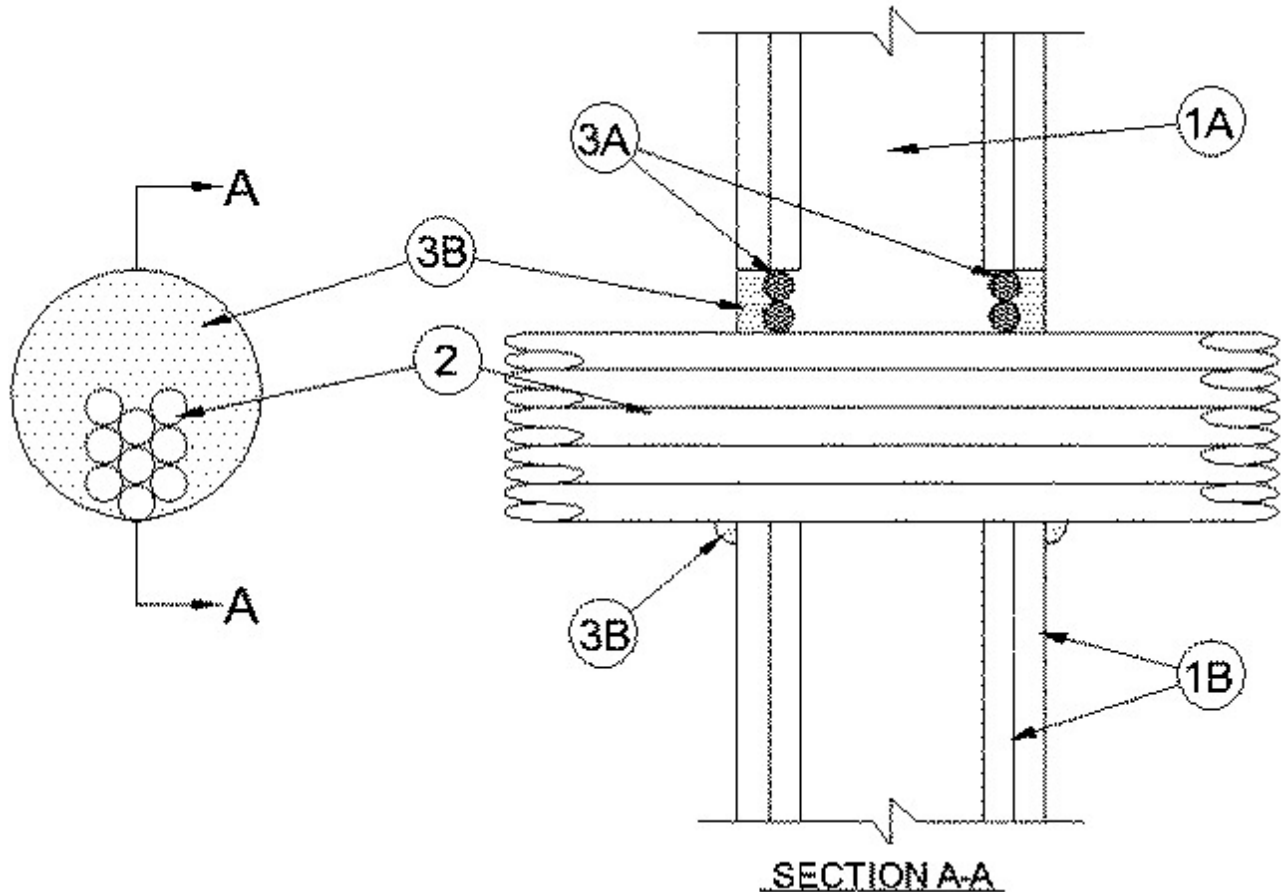


System No. W-L-3181

December 20, 2001

F Ratings — 1 and 2 Hr (See Item 1)

T Ratings — 0 and 1 Hr (See Item 1)



1. Wall Assembly — The 1 or 2 h fire-rated gypsum board/stud wall assembly shall be constructed of the materials and in the manner specified in the individual U300 or U400 Series Wall and Partition Designs in the UL Fire Resistance Directory and shall include the following construction features:

A. Studs — Wall framing may consist of either wood studs or steel channel studs. Wood studs to consist of nom 2 by 4 in. lumber spaced 16 in. OC. Steel studs to be min 3-1/2 in. wide and spaced max 24 in. OC.

B. Gypsum Board* — One or two layers of nom 5/8 in. thick gypsum board as specified in the individual Wall and Partition Design. Max diam of opening is 3-5/8 in.

The hourly F Rating of the firestop system is equal to the hourly fire rating of the assembly. When a 2 hr wall is used, T Rating is 1 hr. When a 1 hr wall is used, T Rating is 0 hr.

2. Cables — Aggregate cross-sectional area of cables to be min 11 percent to max 34 percent of the aggregate cross-sectional area of the opening. The annular space between the cable and the periphery of opening shall be min 0 in. (point contact) to max 2-1/8 in. Cables to be tightly bundled and rigidly supported on both sides of wall assembly. Any combination of the following types and sizes of cables may be used:

A. Max 3/C No. 12 AWG MC (BX) cable with polyvinyl chloride (PVC) insulation.

B. Max 3/C No. 8 AWG (or smaller) nonmetallic sheathed (Romex) cable with copper conductors, PVC insulation and jacket.

C. Max 25 pair No. 20 AWG (and smaller) copper conductor cable with XLPE/PVC insulation, with or without PVC jacket.

3. **Firestop System** — The firestop system shall consist of the following:

A. **Packing Material** — (Optional in 1 Hr wall) Foam backer rod firmly packed into opening as a permanent form. Packing material to be recessed from both surfaces of wall as required to accommodate the required thickness of fill material.

B. **Fill Void or Cavity Materials* - Caulk** — Min 1/2 in. thickness of fill material applied within the annulus, flush with both surfaces of wall. A min 1/2 in. diam bead of caulk shall be applied to the cable/gypsum board interface at the point contact location on both sides of wall.

RECTORSEAL — Biostop 500+

*Bearing the UL Classification Mark