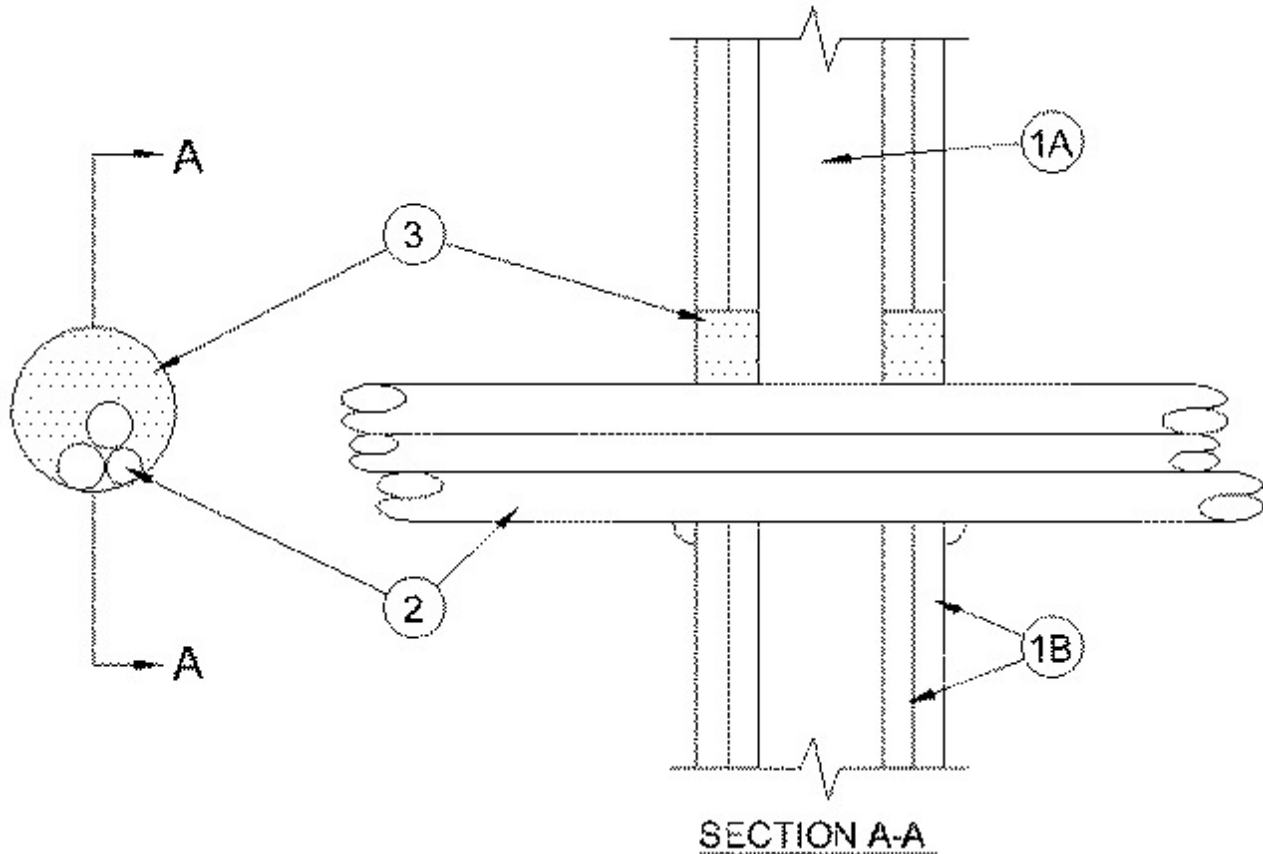


System No. W-L-2374

December 03, 2003

F Ratings — 1 and 2 Hr (See Item 1)

T Rating — 0 Hr



1. Wall Assembly — The 1 or 2 hr fire rated gypsum board/stud wall assembly shall be constructed of the materials and in the manner specified in the individual U300 or U400 Series Wall and Partition Designs in the UL Fire Resistance Directory and shall include the following construction features:

A. Studs — Wall framing may consist of either wood studs or steel channel studs. Steel studs to be min 3-1/2 in. wide and spaced max 24 in. OC. Wood studs to consist of nom 2 by 4 in. lumber spaced 16 in. OC.

B. Gypsum Board* — Thickness, type, number of layers and fasteners as required in the individual Wall and Partition Design. Max diam of opening is 4 in.

The hourly F Rating of the firestop system is equal to the hourly rating of the wall assembly in which it is installed.

2. Through-Penetrants — Multiple nonmetallic pipes, tubing or conduit installed within opening. Aggregate cross-sectional area of penetrants in opening to be max 33 percent of the aggregate cross-sectional area of the opening. Annular space between pipes, tubing or conduit and edge of opening shall be min 0 in. (point contact) to max 1 in. Separation between pipes, tubing or conduit shall be min 0 in. (point contact). Pipes, tubing or conduit to be rigidly supported on both sides of wall assembly. The following types of pipes, tubing or conduit may be used:

A. Polyvinyl Chloride (PVC) Pipe — Nom 1-1/2 in. diam (or smaller) Schedule 40 solid core PVC pipe for use in closed (process or supply) or vented (drain, waste or vent) piping systems.

B. Chlorinated Polyvinyl Chloride (CPVC) Pipe — Nom 1-1/2 in. diam (or smaller) SDR13.5 CPVC pipe for use in closed (process or supply) or vented (drain, waste or vent) piping

systems.

C. Rigid Nonmetallic Conduit+ — Nom 1-1/2 in. diam (or smaller) Schedule 40 PVC conduit installed in accordance with Article 347 of the National Electrical Code (NFPA No. 70).

D. Crosslinked Polyethylene (PEX) Tubing — Nom 1 in. diam (or smaller) SDR 9 PEX tubing for use in closed (process or supply) piping systems.

3. Fill, Void or Cavity Material* - Sealant — Min 5/8 in. thickness of sealant applied within annulus, flush with both surfaces of wall assembly. A min 1/4 in. diam bead of caulk shall be applied to the penetrant/gypsum board interface at the point contact location on both sides of wall.

RECTORSEAL — BF 150+

*Bearing the UL Classification Mark