

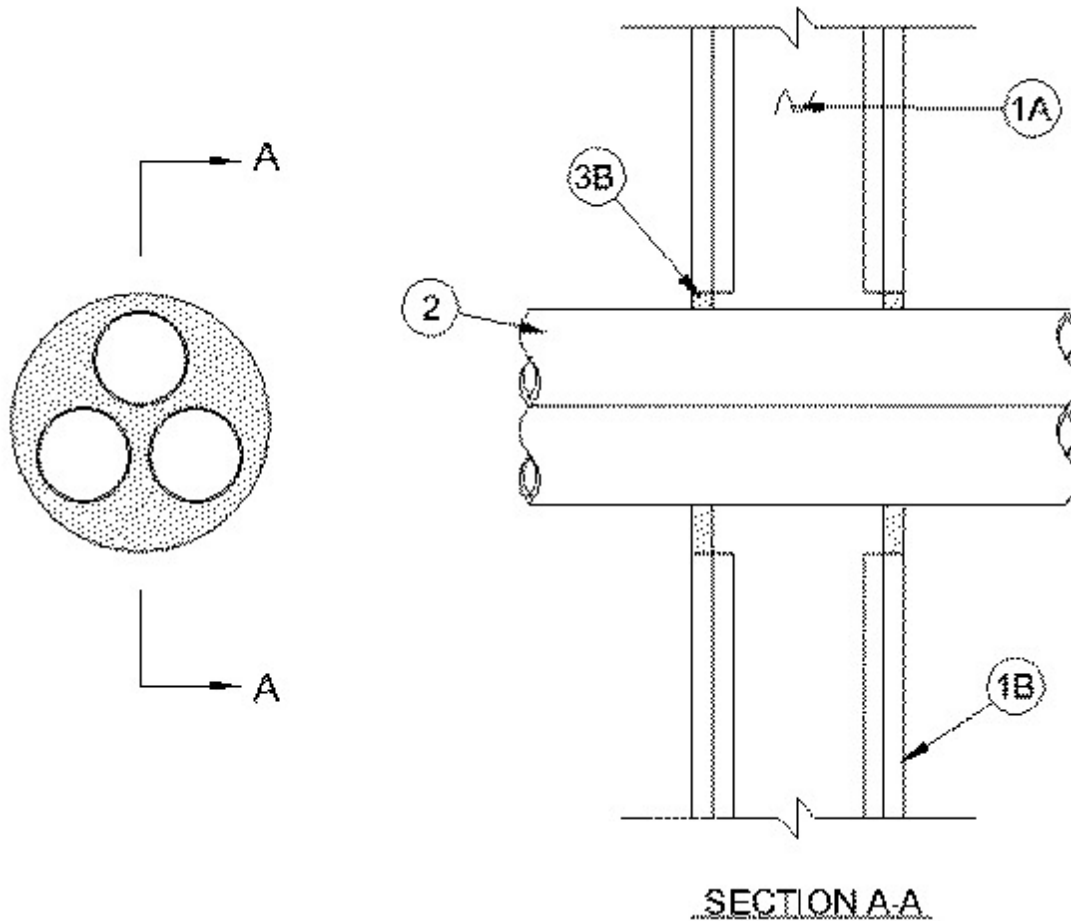


System No. W-L-1363

August 31, 2004

F Ratings — 1 and 2 Hr (See Item 1)

T Rating — 3/4 Hr



1. **Wall Assembly** — The 1 or 2 hr fire rated gypsum board/stud wall assembly shall be constructed of the materials and in the manner specified in the individual U300 or U400 Series Wall and Partition Designs in the UL Fire Resistance Directory and shall include the following construction features:

A. **Studs** — Wall framing may consist of either wood studs or steel channel studs. Wood studs to consist of nom 2 by 4 in. lumber spaced 16 in. OC. Steel channel studs to be min 3-1/2 in. wide and spaced max 24 in. OC.

B. **Gypsum Board*** — One or two layers of nom 5/8 in. thick gypsum board as specified in the individual Wall and Partition Design. Max diam of opening is 8 in.

The hourly F Rating of the firestop system is equal to the hourly fire rating of the wall assembly.

2. **Through Penetrants** — A max of three pipes, conduits or tubes to be installed within the opening. Annular space between the penetrants and the periphery of the opening shall be min 0 in. (point contact) to max 2 in. A min 1/4 in. space must be maintained between penetrants. Penetrants to be rigidly supported on both sides of wall assembly. The following types and sizes of metallic pipes, conduits or tubing may be used:

A. **Steel Pipe** — Nom 3 in. diam (or smaller) Schedule 10 (or heavier) steel pipe.

B. **Iron Pipe** — Nom 3 in. diam (or smaller) Schedule 10 (or heavier) cast iron pipe.

C. **Copper Tubing** — Nom 2 in diam (or smaller) Type L (or heavier) copper tube.

D. **Copper Tubing** — Nom 2 in. diam (or smaller) Regular (or heavier) copper pipe.

E. **Conduit** — Nom 3 in. (or smaller) steel conduit or nom 3 in. diam (or smaller) steel electrical metallic conduit.

3. **Firestop System** — The firestop system shall consist of the following:

A. **Packing Material** — (Optional) — In 2 hr wall assemblies, foam backer rod firmly packed into opening as a permanent form. Packing material to be recessed from each surface of the wall to accommodate the required thickness of fill material..

B. **Fill Void or Cavity Materials* - Caulk** — Min 5/8 in. thickness of fill material applied within the annulus on both surfaces of the wall assembly. Min 1/2 in. diam bead of caulk shall be applied to the penetrant /gypsum board interface at the point contact location on both sides of wall.

RECTORSEAL — BF 150+ Caulk

*Bearing the UL Classification Mark