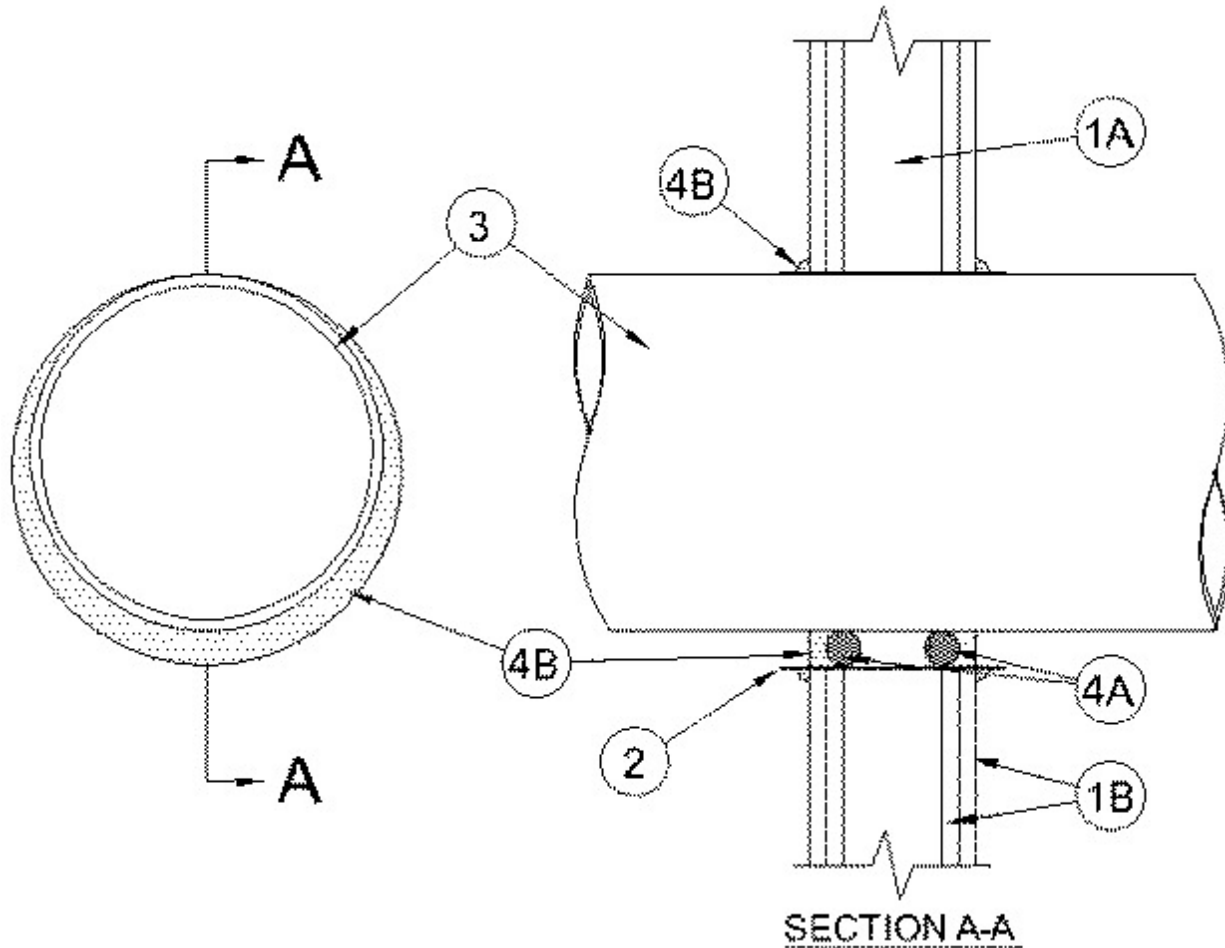


System No. W-L-1326

December 03, 2003

F Ratings — 1 and 2 Hr (See Item 1)

T Rating — 0 Hr



1. **Wall Assembly** — The 1 or 2 hr fire rated gypsum board/stud wall assembly shall be constructed of the materials and in the manner specified in the individual U300 or U400 Series Wall and Partition Designs in the UL Fire Resistance Directory and shall include the following construction features:

A. **Studs** — Wall framing may consist of either wood studs or steel channel studs. Wood studs to consist of nom 2 by 4 in. lumber spaced 16 in. OC. Steel channel studs to be min 3-1/2 in. wide and spaced max 24 in. OC.

B. **Gypsum Board*** — One or two layers of nom 5/8 in. thick gypsum board as specified in the individual Wall and Partition Design. Max diam of opening is 14-1/2 in.

The hourly F Rating of the firestop system is equal to the hourly fire rating of the wall assembly.

2. **Metallic Sleeve** — (Optional) — Cylindrical sleeve fabricated from min No. 26 gauge galv sheet steel and having a min 1 in. overlap along the longitudinal seam. Ends of sleeve to be flush with or extend a max 1 in. beyond each surface of wall.

3. **Through Penetrants** — One metallic pipe, conduit or tubing to be installed concentrically or eccentrically within the firestop system. Pipe, conduit or tubing to be rigidly supported on both sides of wall assembly. The following types and sizes of metallic pipes, conduit or tubing may be used:

A. **Steel Pipe** — Nom 12 in. diam (or smaller) Schedule 10 (or heavier) steel pipe. An annular space of 0 in. (point contact) to 1-3/4 in. is required within the firestop system.

B. **Iron Pipe** — Nom 12 in. diam (or smaller) Schedule 10 (or heavier) cast iron pipe. An annular space of 0 in. (point contact) to 1-3/4 in. is required within the firestop system.

C. **Copper Tubing** — Nom 4 in diam (or smaller) Type L (or heavier) copper tube. An annular space of 0 in. (point contact) to 1-7/8 in. is required within the firestop system.

D. **Copper Pipe** — Nom 4 in. diam (or smaller) Regular (or heavier) copper pipe. An annular space of 0 in. (point contact) to 1-7/8 in. is required within the firestop system.

E. **Conduit** — Nom 6 in. (or smaller) steel conduit or or nom 4 in. diam (or smaller) steel electrical metallic conduit. An annular space of 0 in. (point contact) to 1-7/8 in. is required within the firestop system.

4. **Firestop System** — The firestop system shall consist of the following:

A. **Packing Material** — In 2 hr wall assemblies, foam backer rod firmly packed into opening as a permanent form. Packing material to be recessed from each surface of the wall to accommodate the required thickness of fill material.

B. **Fill Void or Cavity Materials* - Caulk** — Min 1/2 in. thickness of fill material applied within the annulus on both surfaces of the wall assembly. When steel sleeve is not used or when steel sleeve is flush with the wall surfaces, a min 1/2 in. diam bead of caulk shall be applied to the penetrant /gypsum board interface at the point contact location on both sides of wall. When steel sleeve is used, a bead of caulk is applied to the steel sleeve/gypsum board interface on both sides of wall.

RECTORSEAL — BF 150+ Caulk, Biostop 500+

*Bearing the UL Classification Mark