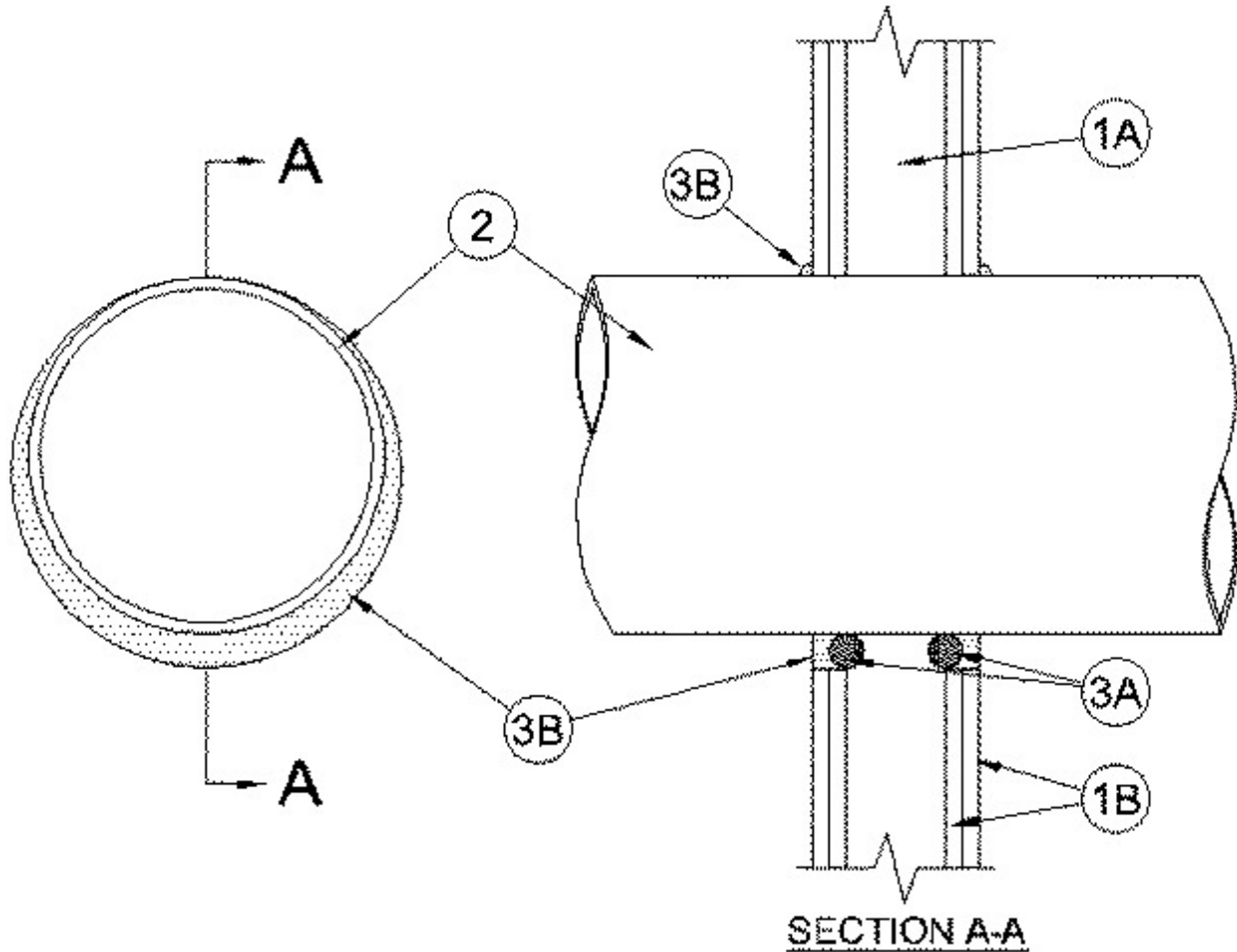


## System No. W-L-1254

November 28, 2007

F Ratings — 1 and 2 Hr (See Item 1)

T Rating — 0 Hr



1. **Wall Assembly** — The 1 or 2 hr fire rated gypsum board/stud wall assembly shall be constructed of the materials and in the manner specified in the individual U300 or U400 Series Wall and Partition Designs in the UL Fire Resistance Directory and shall include the following construction features:

A. **Studs** — Wall framing consists of steel channel studs. Steel studs to be min 3-1/2 in. wide and spaced max 24 in. OC.

B. **Gypsum Board\*** — One or two layers of nom 5/8 in. thick gypsum wallboard as specified in the individual Wall and Partition Design. Max diam of opening is 14 in.

**The hourly F Rating of the firestop system is equal to the hourly fire rating of the wall assembly.**

2. **Through Penetrants** — One metallic pipe, conduit or tubing to be installed concentrically or eccentrically within the firestop system. Pipe or tubing to be rigidly supported on both sides of wall assembly. The following types and sizes of metallic pipes or tubing may be used:

A. **Steel Pipe** — Nom 12 in. diam (or smaller) Schedule 10 (or heavier) steel pipe. A nom annular space of 0 (point contact) to 1-1/4 in. is required within the firestop system.

B. **Iron Pipe** — Nom 12 in. diam (or smaller) Schedule 10 (or heavier) cast iron pipe. A nom annular space of 0 (point contact) to 1-1/4 in. is required within the firestop system.

C. **Copper Tubing** — Nom 4 in diam (or smaller) Type L (or heavier) copper tube. A nom annular space of 0 (point contact) to 1 in. is required within the firestop system.

D. **Copper Pipe** — Nom 4 in. diam (or smaller) Regular (or heavier) copper pipe. A nom annular space of 0 (point contact) to 1 in. is required within the firestop system.

E. **Conduit** — Nom 6 in. (or smaller) steel conduit or or nom 4 in. diam (or smaller) steel electrical metallic conduit A nom annular space of 0 (point contact) to 1 in. is required within the firestop system.

3. **Firestop System** — The firestop system shall consist of the following:

A. **Packing Material** — (Optional) In 2 hr wall assemblies, foam backer rod firmly packed into opening as a permanent form. Packing material to be recessed from each surface of the wall to accommodate the required thickness of fill material.

B. **Fill Void or Cavity Materials\* - Caulk** — Min 5/8 in. thickness of fill material applied within the annulus on both surfaces of the wall assembly. A min ½ in. diam bead of caulk shall be applied to the pipe/gypsum board interface at the point contact location on both sides of wall.

**RECTORSEAL** — BF 150+ Caulk

\*Bearing the UL Classification Mark