

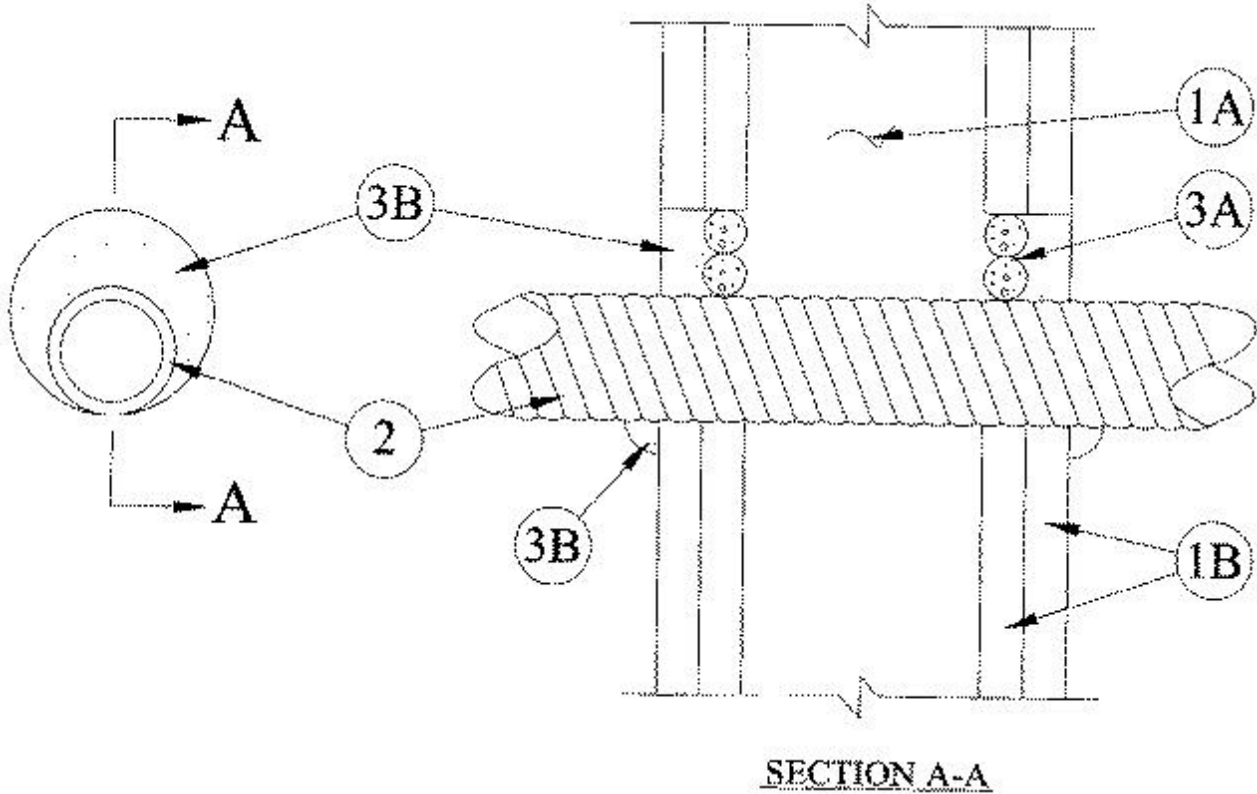


### System No. W-L-1178

May 13, 2004

F Ratings — 1 and 2 Hr (See Item 1)

T Ratings — 0, 1/4, 1 and 2 Hr (See Item 2)



**1. Wall Assembly** — The 1 or 2 hr fire-rated gypsum wallboard/stud wall assembly shall be constructed of the materials and in the manner specified in the individual U300 or U400 Series Wall and Partition Designs in the UL Fire Resistance Directory and shall include the following construction features:

**A. Studs** — Wall framing shall consist of either wood or steel channel studs. Wood studs to consist of nom 2 by 4 in. lumber spaced 16 in. OC. Steel studs to be min 3-1/2 in. wide and spaced max 24 in. OC.

**B. Gypsum Board\*** — Min 5/8 in. thick, 4 ft wide with square or tapered edges. The gypsum wallboard type, thickness, number of layers and orientation shall be as specified in the individual U300 or U400 Wall and Partition Design. Max diam of opening is 3 in.

**The hourly F Rating of the firestop system is equal to the hourly fire rating of the wall assembly in which it is installed.**

**1A. Metallic Sleeve** — (Optional) — Cylindrical sleeve fabricated from min No. 26 gauge galv sheet steel and having a min 1 in. overlap along the longitudinal seam. Ends of sleeve to be flush with or extend a max 1 in. beyond each surface of wall.

**2. Through-Penetrant** — One **Flexible Metal Conduit+** to be installed either eccentrically or concentrically within the firestop system. The annular space shall be min 0 in. (point contact) to max 1-1/8 in. Conduit to be rigidly supported on both sides of wall assembly. The following types and sizes of conduit may be used:

**A. Steel Flexible Metal Conduit** — Nom 1-1/2 in. diam (or smaller) steel flexible metal conduit. **When steel flexible metal conduit is used, the hourly T Rating of the firestop system is equal to the hourly fire rating of the wall assembly in which it is installed.**

See **Flexible Metal Conduit** (DXUZ) category in the Electrical Construction Materials Directory for names of manufacturers.

**B. Aluminum Flexible Metal Conduit** — Nom 1-1/2 in. diam (or smaller) aluminum flexible metal conduit. **When aluminum flexible metal conduit is used, the hourly T Rating of the firestop system is 0 and 1/4 hr when installed in 1 and 2 hr walls, respectively.**

See **Flexible Metal Conduit** (DXUZ) category in the Electrical Construction Materials Directory for names of manufacturers.

**3. Firestop System** — The firestop system shall consist of the following:

**A. Packing Material** — In 2 hr rated wall assemblies, foam backer rod firmly packed into opening as a permanent form. Packing material to be recessed from both surfaces of wall as required to accommodate the required thickness of fill material.

**B. Fill, Void or Cavity Materials\* — Caulk** — Min 1/2 in. thickness of fill material applied within the annulus, flush with both surfaces of wall. At point contact location between wall and conduit, a min 1/4 in. diam bead of fill material shall be applied to the wall/conduit interface on both surfaces of wall.

**RECTORSEAL** — Biostop 500+ Caulk

\*Bearing the UL Classification Mark