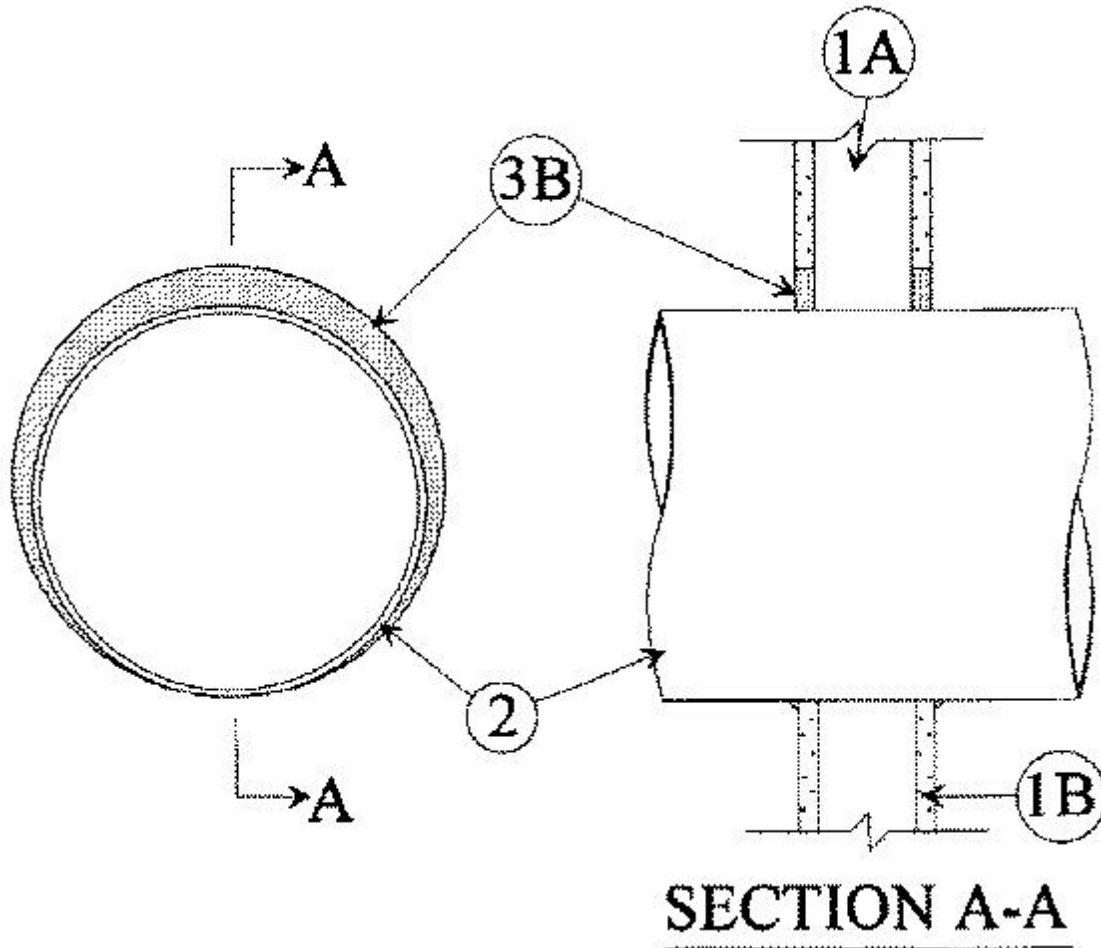


System No. W-L-1117

December 09, 1997

F Rating — 1 Hr

T Rating — 0 Hr



1. Wall Assembly — The fire-rated gypsum wallboard/stud wall assembly shall be constructed of the materials and in the manner specified in the individual U300 or U400 Series Wall and Partition Designs in the UL Fire Resistance Directory and shall include the following construction features:

A. Studs — Wall framing may consist of either wood studs or steel channel studs. Wood studs to consist of nom 2 by 4 in. lumber spaced 16 in. OC. Steel studs to be min 2-1/2 in wide and spaced max 24 in. OC. The opening in the wall to accommodate the through penetrant (Item 2) shall be framed on all sides within the stud cavity using short lengths of stud installed between the vertical stud members.

B. Gypsum Board* — One layer of nom 5/8 in. thick gypsum wallboard, as specified in the individual Wall and Partition Design. Max diam of opening is 22 in. for steel stud walls. Max diam of opening is 14-1/2 in. for wood stud walls.

2. Through Penetrants — One metallic pipe, conduit or tubing to be installed either concentrically or eccentrically within the firestop system. The annular space between pipe, conduit or tubing and periphery of opening shall be min 0 in. (point contact) and max 2 in. Pipe, conduit or tubing to be rigidly supported on both sides of wall assembly. The following types and sizes of metallic pipes, conduits or tubing may be used:

A. Steel Pipe — Nom 20 in. diam (or smaller) Schedule 10 (or heavier) steel pipe.

B. Iron Pipe — Nom 20 in. diam (or smaller) cast or ductile iron pipe.

C. **Conduit** — Nom 2 in. diam (or smaller) steel electrical metallic tubing or steel conduit.

D. **Copper Tubing** — Nom 2 in. diam (or smaller) Type L (or heavier) copper tubing.

E. **Copper Pipe** — Nom 2 in. diam (or smaller) Regular (or heavier) copper pipe.

3. **Fill, Void or Cavity Material*** — **Caulk** — Min 1/2 in. thickness of fill material applied within the annulus, flush with both surfaces of wall. At the point contact location between pipe and wall, a min 1/4 in. diam bead of fill material shall be applied at the wall/pipe interface on both surfaces of wall.

RECTORSEAL — Biostop 500+

*Bearing the UL Classification Mark