

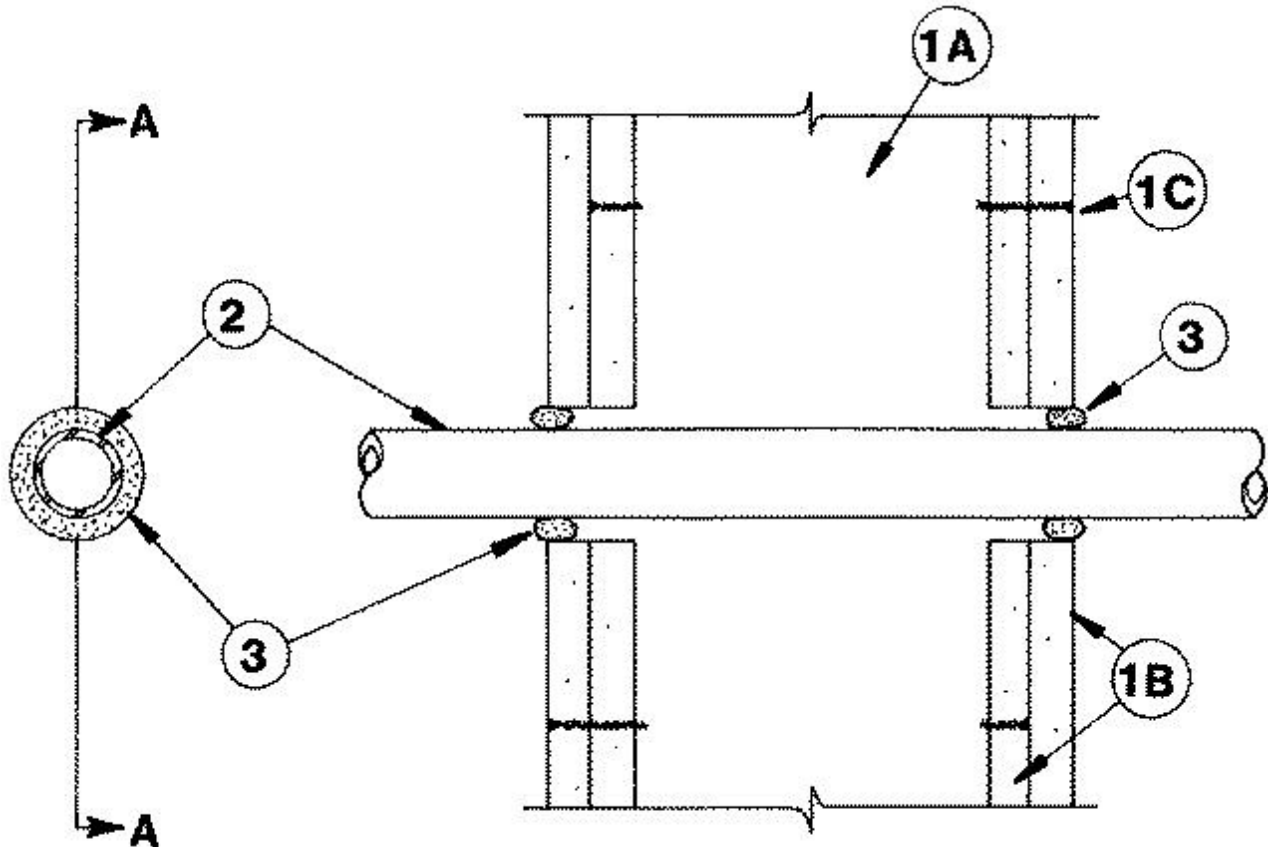
System No. W-L-1021

November 29, 1995

(Formerly System No. 404)

F Rating — 1 Hr

T Rating — 1 Hr



SECTION A-A

1. **Wall Assembly** — The fire rated gypsum wallboard/stud wall assembly shall be constructed of the materials and in the manner specified in the individual U300 or U400 Series Wall and Partition Designs in the UL Fire Resistance Directory and shall include the following construction features:

A. **Studs** — Wall framing may consist of either wood studs or steel channel studs. Wood studs to consist of nom 2 by 4 in. lumber spaced 16 in. OC. Steel studs to be min 3-5/8 in. wide and spaced max 24 in. OC.

B. **Gypsum Board*** — Two layers of nom 5/8 in. thick gypsum wallboard as specified in the individual Wall and Partition Design. Max diam of opening is 1-1/2 in.

2. **Through Penetrants** — One metallic pipe, conduit or tubing to be centered within the firestop system. Pipe, conduit or tubing to be rigidly supported on both sides of wall assembly. The following types and sizes of metallic pipes, conduits or tubing may be used:

A. **Steel Pipe** — Nom 1 in. diam (or smaller) Schedule 5 (or heavier) steel pipe. A nom annular space of 1/8 in. required within the firestop system.

B. **Conduit** — Nom 1 in diam (or smaller) steel electrical metallic tubing or steel conduit. A nom annular space of 1/8 in. required within the firestop system.

3. **Fill, Void or Cavity Material* — Caulk** — Nom 5/16 in. thickness of fill material applied within the annulus on both surfaces of the wall assembly. Additional fill material to be installed such that min 1/4 in. high crown around the penetrating item.

RECTORSEAL — Biostop 500 Caulk

*Bearing the UL Classification Mark