

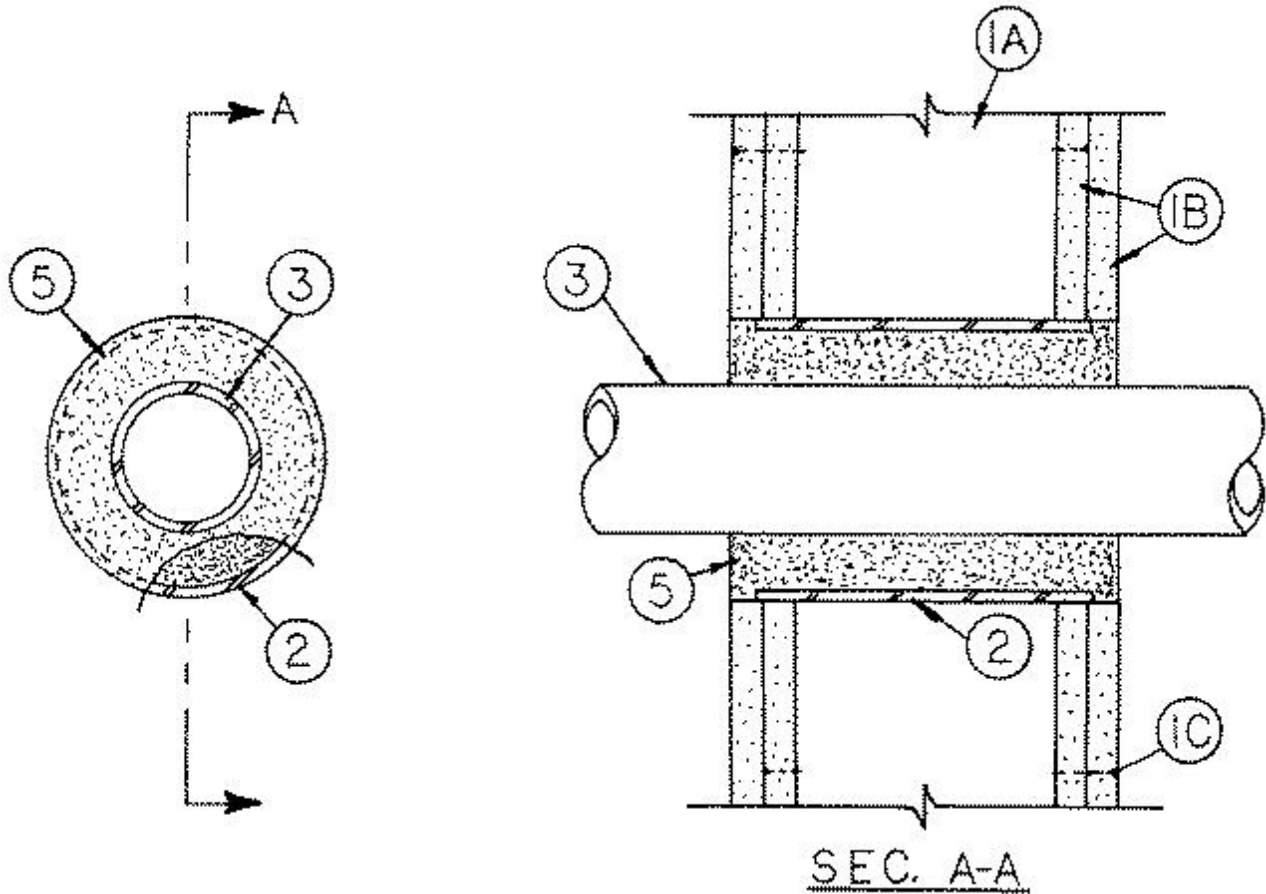
## System No. W-L-1012

September 14, 2002

(Formerly System No. 246)

F Rating — 2 Hr

T Rating — 1 Hr



1. **Wall Assembly** — The fire rated gypsum board/stud wall assembly shall be constructed of the materials and in the manner specified in the individual U300 or U400 Series Wall and Partition Designs in the UL Fire Directory and shall include the following construction features:

A. **Studs** — Wall framing may consist of either wood studs or steel channel studs. Wood studs to consist of nom 2 by 4 in. lumber spaced 16 in. OC. Steel studs to be min 3-5/8 in. wide and spaced 24 in. OC.

B. **Gypsum Board\*** — Two layers of nom 5/8 in. thick gypsum board, as specified in the individual Wall and Partition Design. Max diam of opening is 4-1/2 in.

2. **Metallic Sleeve** — Nom 4 in. diam by 5 in. long Schedule 40 (or heavier) steel pipe friction fitted within opening with the ends recessed approx 1/2 to 5/8 in. from the wall surfaces.

3. **Through Penetrants** — One metallic pipe, conduit or tubing to be centered within the firestop system. Pipe, conduit or tubing to be rigidly supported on both sides of wall assembly. The following types and sizes of metallic pipes, conduits or tubing may be used:

A. **Steel Pipe** — Nom 2 in. diam (or smaller) Schedule 40 (or heavier) steel pipe.

B. **Conduit** — Nom 2 in. diam (or smaller) steel electrical metallic tubing or steel conduit.

4. **Forms** — (Not Shown) — Used as a form to prevent leakage of fill material during installation. Forms to be rigid sheet material, cut to fit the contour of the penetrating items and fastened to both sides of wall assembly. Forms to be removed after fill material has cured.

5. **Fill, Void or Cavity Materials\*** — **Mortar** — Min 6-1/8 in. thickness of fill material applied within the annulus, flush with both surfaces of wall.

**RECTORSEAL** — Bio K10+ Mortar

\*Bearing the UL Classification Mark