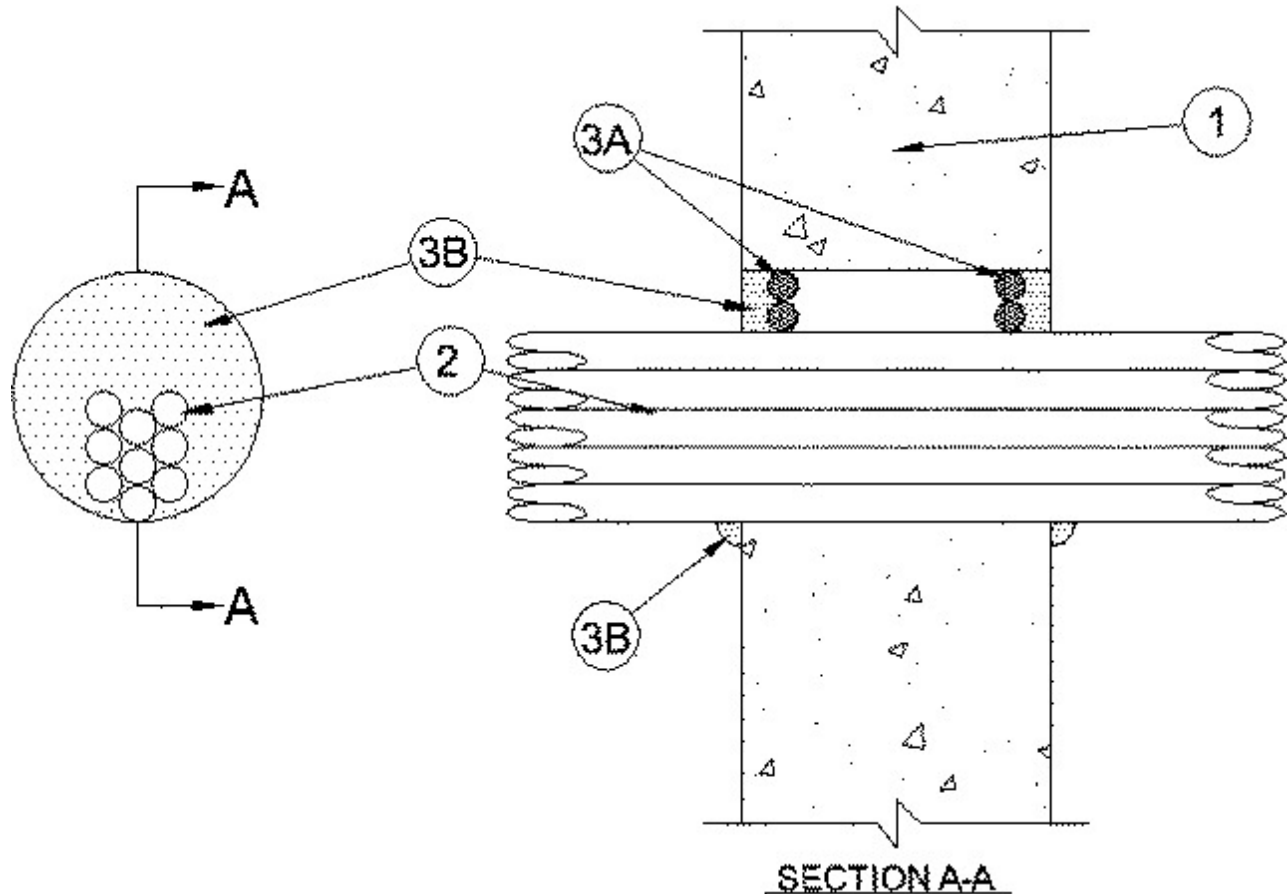


System No. W-J-3071

December 20, 2001

F Rating — 2 Hr

T Rating — 1 Hr



1. **Wall Assembly** — Min 6 in. thick lightweight or normal weight (100-150 pcf) concrete. Wall may also be constructed of any UL Classified **Concrete Blocks***. Max diam of opening is 3-5/8 in.

See **Concrete Blocks*** (CAZT) category in the Fire Resistance Directory for names of manufacturers.

2. **Cables** — Aggregate cross-sectional area of cables to be min 11 percent to max 34 percent of the aggregate cross-sectional area of the opening. The annular space between the cable and the periphery of opening shall be min 0 in. (point contact) to max 2-1/8 in. Cables to be rigidly supported on both sides of wall assembly. Any combination of the following types and sizes of cables may be used:

A. Max 3/C No. 12 AWG MC (BX) cable with polyvinyl chloride (PVC) insulation.

B. Max 3/C No. 8 AWG (or smaller) nonmetallic sheathed (Romex) cable with copper conductors, PVC insulation and jacket .

C. Max 25 pair No. 20 AWG (and smaller) copper conductor cable with XLPE/PVC insulation, with or without PVC jacket.

3. **Firestop System** — The firestop system shall consist of the following:

A. **Packing Material** — Foam backer rod firmly packed into opening as a permanent form. Packing material to be recessed from both surfaces of wall as required to accommodate the required thickness of fill material.

B. Fill, Void or Cavity Material* - Caulk — Min 1/2 in. thickness of fill material applied within the annulus, flush with both surfaces of wall. A min 1/2 in. diam bead of caulk shall be applied to the cable/concrete interface at the point contact location on both sides of wall.

RECTORSEAL — Biostop 500+

*Bearing the UL Classification Mark