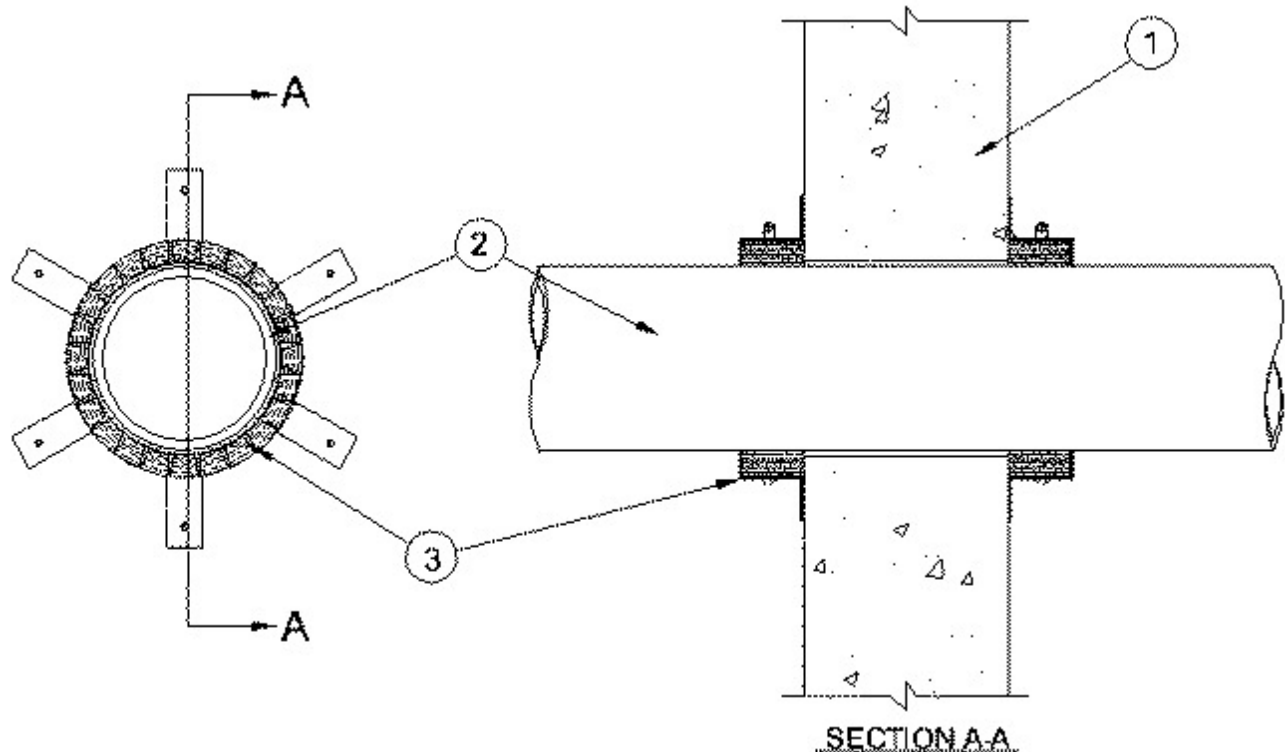


System No. W-J-2106

December 20, 2001

F Rating — 2 Hr

T Rating — 1-1/2 Hr



1. **Wall Assembly** — Min 6 in. thick lightweight or normal weight (100-150 pcf) concrete wall assembly. Wall may also be constructed of any UL Classified **Concrete Blocks***. Max diam of opening is 5 in.

See **Concrete Blocks** (CAZT) category in the Fire Resistance Directory for names of manufacturers.

2. **Nonmetallic Pipe** — Nom 4 in. diam (or smaller) Schedule 40 (or heavier) fire retardant polypropylene (FRPP) pipe for use in closed (process or supply) or vented (drain, waste or vent) piping systems. One pipe to be installed concentrically or eccentrically within the firestop system with an annular space of min 0 in. (point contact) to max 1/2 in. Pipe to be rigidly supported on both sides of wall assembly.

3. **Firestop Device*** — Galv steel collar lined with an intumescent material sized to fit specific diam of the through penetrant. Device to be installed around through penetrant in accordance with accompanying installation instructions. Device incorporates anchor tabs for securement to both surfaces of the wall by means of 1/4 in. diam by 1-1/4 in. long steel expansion bolts or steel Tapcon® concrete anchors with 1/4 in. by 5/8 in. washers at each anchor tab.

RECTORSEAL — Biostop Pipe Collar

*Bearing the UL Classification Mark