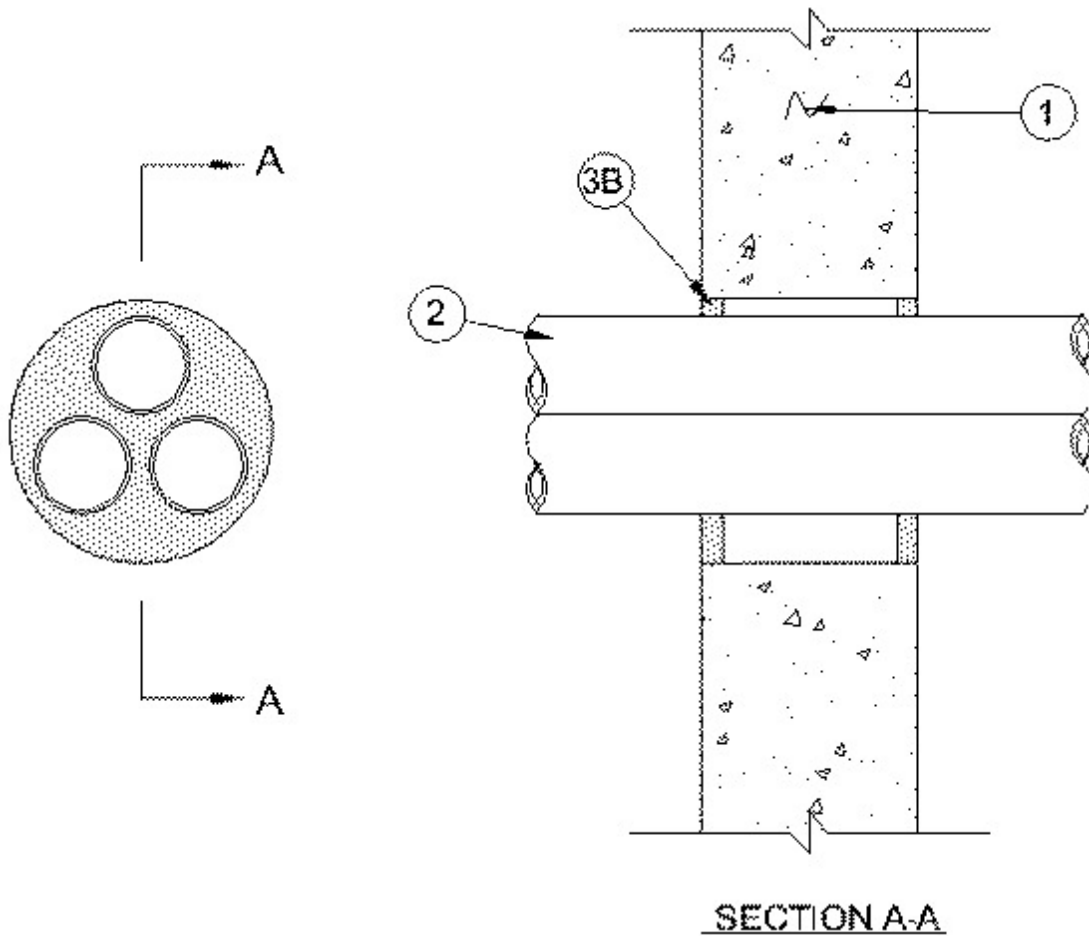


System No. W-J-1171

September 01, 2004

F Rating — 2 Hr

T Rating — 3/4 Hr



1. **Wall Assembly** — Min 4-1/2 in. thick reinforced lightweight or normal weight (100-150 pcf) concrete. Wall may also be constructed of any UL Classified **Concrete Blocks***. Max diam of opening is 8 in.

2. **Through Penetrants** — A max of three pipes, conduits or tubes to be installed within the opening. Annular space between the penetrants and the periphery of the opening shall be min 0 in. (point contact) to max 2 in. A min 1/4 in. space must be maintained between penetrants. Penetrants to be rigidly supported on both sides of wall assembly. The following types and sizes of metallic pipes, conduits or tubing may be used:

A. **Steel Pipe** — Nom 3 in. diam (or smaller) Schedule 10 (or heavier) steel pipe.

B. **Iron Pipe** — Nom 3 in. diam (or smaller) Schedule 10 (or heavier) cast iron pipe.

C. **Copper Tubing** — Nom 2 in diam (or smaller) Type L (or heavier) copper tube.

D. **Copper Pipe** — Nom 2 in. diam (or smaller) Regular (or heavier) copper pipe.

E. **Conduit** — Nom 2 in. (or smaller) steel conduit or nom 2 in. diam (or smaller) steel electrical metallic conduit.

3. **Firestop System** — The firestop system shall consist of the following:

A. **Packing Material** — (Optional) — Foam backer rod firmly packed into opening as a permanent form. Packing material to be recessed from each surface of the wall to accommodate the required thickness of fill material.

B. **Fill Void or Cavity Materials* - Caulk** — Min 5/8 in. thickness of fill material applied within the annulus on both surfaces of the wall assembly. Min 1/2 in. diam bead of caulk shall be applied to the penetrant /concrete interface at the point contact location on both sides of wall.

RECTORSEAL — BF 150+ Caulk

*Bearing the UL Classification Mark