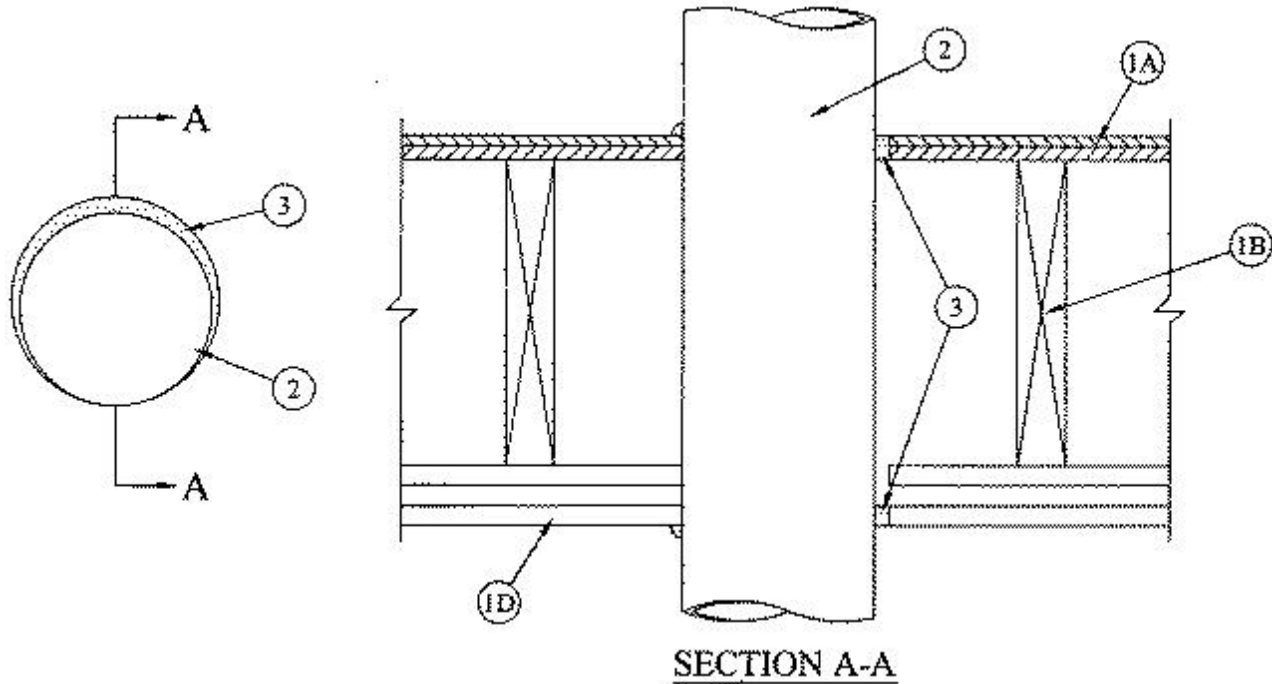




### System No. F-C-7019

July 15, 2014

ANSI/UL1479 (ASTM E814)	CAN/ULC S115
F Ratings - 1 and 2 Hr (See Item 1)	F Ratings - 1 and 2 Hr (See Item 1)
T Ratings - FT Ratings - 1 and 1-1/2 Hr (See Item 1)	FT Ratings - 1 and 1-1/2 Hr (See Item 1)
	FH Ratings - 1 and 2 Hr (See Item 1)
	FTH Ratings - 1 and 1-1/2 Hr (See Item 1)
L Rating At Ambient - Less Than 1 CFM/sq ft	L Rating At Ambient - Less Than 1 CFM/sq ft
L Rating At 400 F - Less Than 1 CFM/sq ft	L Rating At 400 F - Less Than 1 CFM/sq ft



**1. Floor-Ceiling Assembly** — The 1 hr fire-rated solid or trussed lumber joist floor-ceiling assembly shall be constructed of the materials and in the manner specified in the individual L500 Series Floor-Ceiling Designs in the UL Fire Resistance Directory. The 2 hr fire-rated wood joist floor-ceiling assembly shall be constructed of the materials and in the manner specified in Design Nos. L505, L511 or L536 in the UL Fire Resistance Directory. The general construction features of the floor-ceiling assembly are summarized below:

**A. Flooring System** — Lumber or plywood subfloor with finish floor of lumber, plywood or **Floor Topping Mixture\*** as specified in the individual Floor-Ceiling Design. Max diam of floor opening is 6-1/2 in. (165 mm).

**B. Wood Joists\*** — For 1 hr fire-rated floor-ceiling assemblies nom 10 in. (254 mm) deep (or deeper) lumber, steel or combination lumber and steel joists, trusses or **Structural Wood Members\*** with bridging as required and with ends firestopped. For 2 hr fire-rated floor-ceiling assemblies, nom 2 by 10 in. (51 by 254 mm) lumber joists spaced 16 in. (406 mm) OC with nom 1 by 3 in. (25 by 76 mm) lumber bridging and with ends firestopped.

**C. Furring Channels** — (Not Shown) — In 2 hr fire-rated assemblies, resilient galv steel furring installed perpendicular to wood joists between first and second layers of gypsum board (Item 1D). Furring channels spaced max 24 in. (610 mm) OC. In 1 hr fire-rated assemblies, resilient galv steel furring installed perpendicular to wood joists between gypsum board and wood joists as specified in the individual Floor-Ceiling Design. Furring channels spaced max 24 in. (610 mm) OC.

D. **Gypsum Board\*** — Nom 4 ft (1.2 m) wide by 5/8 in. (16 mm) thick as specified in the individual Floor-Ceiling Design. First layer of gypsum board secured to wood joists or furring channels as specified in the individual Floor-Ceiling Design. Second layer of gypsum board (2 hr fire-rated assembly) screw-attached to furring channels as specified in the individual Floor-Ceiling Design. Max diam of ceiling opening is 6-1/2 in. (165 mm).

The hourly F and T Ratings of the firestop system are dependent on the hourly fire rating of the floor-ceiling/chase wall assembly in which it is installed as shown in the following table:

Rating of Assembly, Hr	F Rating, Hr	T Rating, Hr
2	2	1-1/2
1	1	1

1.1 **Chase Wall** — (Not Shown, Optional) — The through penetrants (Item 2) may be routed through a 1 or 2 hr fire-rated single, double or staggered wood stud/gypsum board chase wall having a fire rating consistent with that of the floor-ceiling assembly. The chase wall shall be constructed of the materials and in the manner specified in the individual U300 Series Wall and Partition Designs in the UL Fire Resistance Directory and shall include the following construction features:

A. **Studs** — Nom 2 by 8 in. (51 by 203 mm) lumber or double nom 2 by 6 in. (51 by 152 mm) lumber studs.

B. **Sole Plate** — Nom 2 by 8 in. (51 by 203 mm) lumber or parallel 2 by 6 in. (51 by 152 mm) lumber plates, tightly butted.

C. **Top Plate** — The double top plate shall consist of two nom 2 by 8 in. (51 by 203 mm) lumber plates or two sets of nom 2 by 6 in. (51 by 152 mm) lumber plates tightly butted. Max diam of opening is 6-1/2 in. (165 mm).

D. **Gypsum Board\*** — Thickness, type, number or layers and fasteners shall be as specified in individual Wall and Partition Designs.

2 **Through Penetrant** — Nom 6 in. (152 mm) diam (or smaller) by No. 30 MSG (or heavier) steel duct. One steel duct to be installed either concentrically or eccentrically within the firestop system. The annular space within the firestop system shall be a min 0 in. (point contact) to a max 1/2 in. (13 mm). Steel duct to be rigidly supported on both sides of floor-ceiling assembly.

3. **Fill, Void or Cavity Material\*** — **Sealant** — Min 3/4 in. (19 mm) thickness of fill material applied flush with annulus on top surface of floor or sole plate. Min 1/2 in. (13 mm) thickness of fill material applied flush with annulus on bottom surface of ceiling or on bottom surface of lower top plate of chase wall assembly. At point contact, min 3/8 in. (10 mm) diam bead of fill material applied at penetrant/floor or sole plate interface and at penetrant/ceiling or top plate interface.

**RECTORSEAL** — FS900+ Sealant, Metacaulk MC 150+, Biostop BF 150+

+Bearing the UL Listing Mark

\* Indicates such products shall bear the UL or cUL Certification Mark for jurisdictions employing the UL or cUL Certification (such as Canada), respectively.