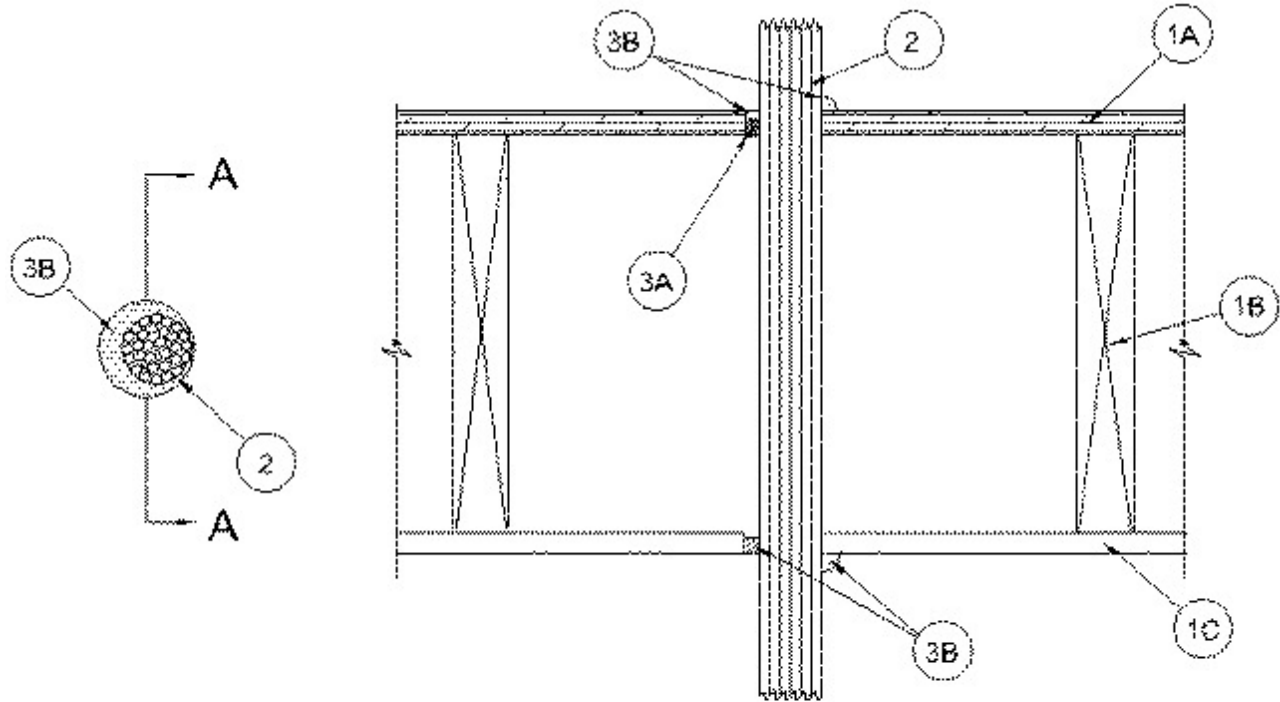


System No. F-C-3064

June 15, 2006

F Rating — 1 Hr

T Rating — 1 Hr



SECTION A-A

1. **Floor-Ceiling Assembly** — The 1 hr fire-rated wood joist floor-ceiling assembly shall be constructed of the materials and in the manner specified in the individual L500 Designs in the UL Fire Resistance Directory, as summarized below:

A. **Flooring System** — Lumber or plywood subfloor with finish floor of lumber, plywood or **Floor Topping Mixture*** as specified in the individual Floor-Ceiling Design. Max diam of opening is 1-3/4 in.

B. **Wood Joists** — Nom 10 in. deep (or deeper) lumber, steel or combination lumber and steel joists, trusses or **Structural Wood Members*** with bridging as required and with ends firestopped.

C. **Gypsum Board*** — Nom 5/8 in. thick as specified in the individual Floor-Ceiling Design. Max diam of opening is 1-3/4 in.

2. **Cables** — Aggregate cross-sectional area of cables in opening to be min 10 to max 46 percent of the cross-sectional area of the opening. Cables to be tightly bundled with bundle installed eccentrically or concentrically within openings. Annular space to be min 0 in. (point contact) to max 5/8 in. Cables to be rigidly supported on both sides of floor assembly. Any combination of the following types and sizes of copper conductor cables may be used:

A. Max 2/C with ground, No. 12 AWG MC (BX) cable with polyvinyl chloride (PVC) insulation on conductors inside a steel armored jacket.

B. Max 3/C with ground, No. 12 AWG (or smaller) nonmetallic sheathed (Romex) cable with copper conductors, PVC insulation and jacket.

C. Max 25 pair No. 20 AWG (or smaller) copper conductor telephone cable with XLPE/PVC insulation, with or without PVC jacket.

D. Max RG59/U (or smaller) television coaxial cable with fluorinated ethylene insulation and jacketing.

E. Max 4 pair No. 24 AWG (or smaller) copper conductor data cable with Hylar insulation and jacketing.

F. Max 2/C No. 22 AWG (or smaller) copper conductor alarm cable with PVC insulation.

G. Max 1/C No. 14 AWG (or smaller) Type MTW or THHN or THWN or gas & oil res II 600V (UL) or AWM VW-1 power cable.

H. Max 1/C No. 10 AWG (or smaller) Type THHN or THWN gasoline & oil resistant II 600V VW-1 E116364 (UL) power cable.

I. Max 4/C No. 18 AWG Type CL-2 Barostat II Sun res (UL) Listed thermostat cable.

J. Max 3/C with ground, No. 18 ga. Manhattan / CDT-F P/N M244826 E-120910 Foil Shield, 300V CMP (UL) c(UL).

K. Max 6/C Commscope Optical Reach 2001 006 fiber optic cable.

3. Firestop System — The firestop system shall consist of the following:

A. **Packing Material** — Foam backer rod firmly packed into opening as a permanent form. Packing material to be recessed from top surface of subfloor as required to accommodate the required thickness of fill material

B. **Fill, Void or Cavity Material* - Caulk** — Min ¼ in. thickness of fill material applied within annulus, flush with top surface of subfloor and min ½ in. thickness of fill material applied within the annulus, flush with ceiling. At point contact location, ½ in. diam bead of caulk applied at interface of cables and periphery of opening on top surface of floor and bottom surface of ceiling.

RECTORSEAL — BF 150+

*Bearing the UL Classification Mark