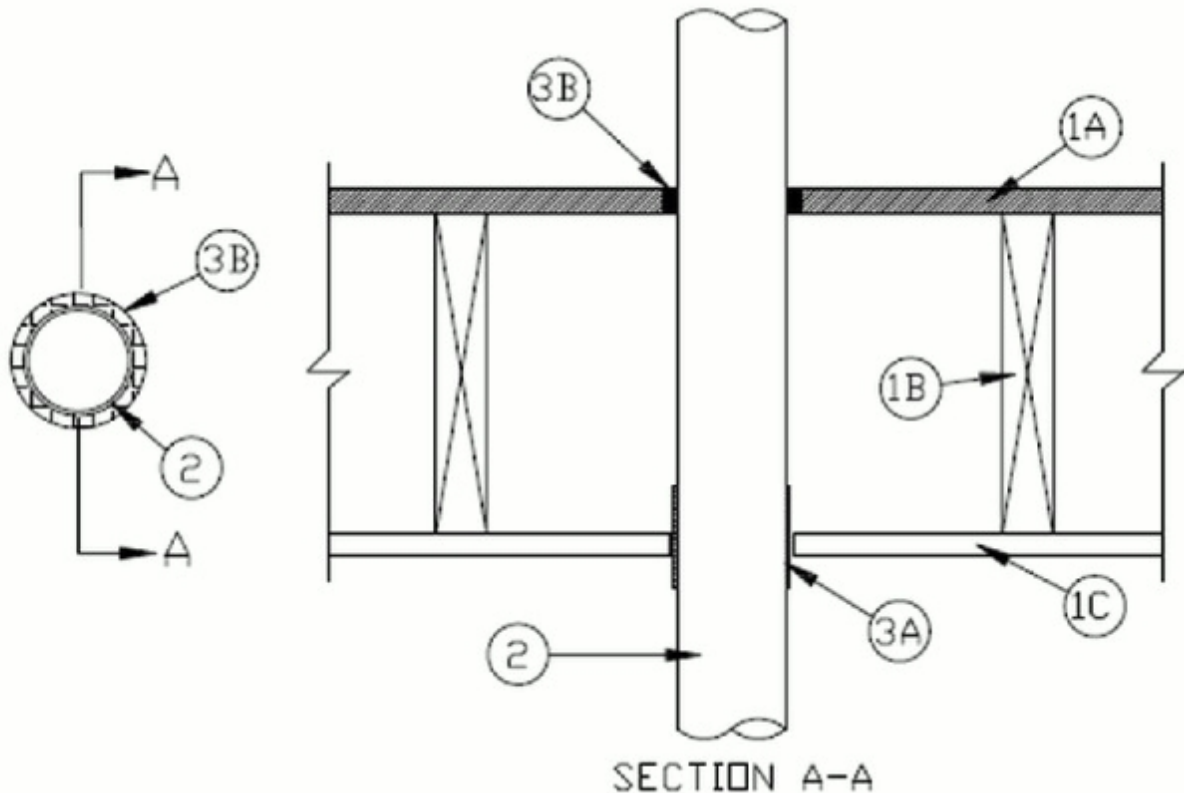


System No. F-C-2408

October 11, 2017

ANSI/UL1479 (ASTM E814)	CAN/ULC S115
F Ratings — 1 Hr	F Ratings — 1 Hr
T Rating — 1 Hr	FT Rating — 1 Hr
	FH Ratings — 1 Hr
	FTH Rating — 1 Hr



1. Floor Ceiling Assembly — The 1 h fire-rated wood joist floor-ceiling assembly shall be constructed of the materials and in the manner specified in the individual L500 Designs in the ULC Fire Resistance Directory, as summarized below:

A. Flooring System — Lumber or plywood subfloor with finish floor of lumber, plywood or **Floor Topping Mixture*** as specified in the individual Floor-Ceiling Design. Max diam of floor opening is 3 in. (76 mm).

B. Wood Joists* — Nom 10 in. (254 mm) deep (or deeper) lumber, steel or combination lumber and steel joists, trusses or **Structural Wood Members*** with bridging as required and with ends firestopped.

C. Gypsum Board — Nom 5/8 in. (16 mm) thick as specified in the individual Floor-Ceiling Design. Wallboard secured to joists as specified in the individual Floor-Ceiling Design. Max diam of ceiling opening is 3 in. (76 mm).

2. Nonmetallic Pipe — Nom 2 in. (51 mm) diam (or smaller) nonmetallic pipe for use in closed (process or supply) or vented (drain, waste or vent) piping systems. Pipe to be installed concentrically within the firestop system. The annular space between the pipe and periphery of opening shall be Nom 1/4 in. (6 mm). Pipe to be rigidly supported on both sides of floor or wall assembly. The following types and sizes of nonmetallic pipe may be used:

A. Polypropylene (PP) Pipe — Nom 2 in. (51 mm) diam (or smaller) Aquatherm Greenpipe SDR 7.4 PP pipe for use in closed (process or supply) or vented (drain, waste and vent) piping

systems.

B. Polypropylene (PP) Pipe — Nom 2 in. (51 mm) diam (or smaller) Aquatherm Greenpipe SDR 11 PP pipe for use in closed (process or supply) or vented (drain, waste and vent) piping systems.

C. Chlorinated Polyvinyl Chloride (CPVC) Pipe — Nom 2 in. (51 mm) diam (or smaller) ADR 13.5 CPVC pipe for use in closed (process or supply) system.

3. Firestop System — The firestop system shall consist of the following:

A. Fill, Void or Cavity Material - Joint Strip — Two layers of nom in. 2 mm thick by 3 in. (76 mm) wide intumescent joint strip tightly wrapped around the outer circumference of the pipe with ends butted and held in place with foil tape. Joint strip slid into the annular space with the bottom edge of the joint strip extending 1 in. (25 mm) below gypsum board ceiling.

RECTORSEAL — Biostop, Metacaulk and Flame Safe Joint Strip

B. Fill, Void or Cavity Material- Caulk — Min 3/4 in. (19 mm) thickness of fill material applied within annulus, flush with top surface of floor.

RECTORSEAL — Biostop 500+, Metacaulk 1000, Flame Safe 1900

* Indicates such products shall bear the UL or cUL Certification Mark for jurisdictions employing the UL or cUL Certification (such as Canada), respectively.