



System No. F-C-2397

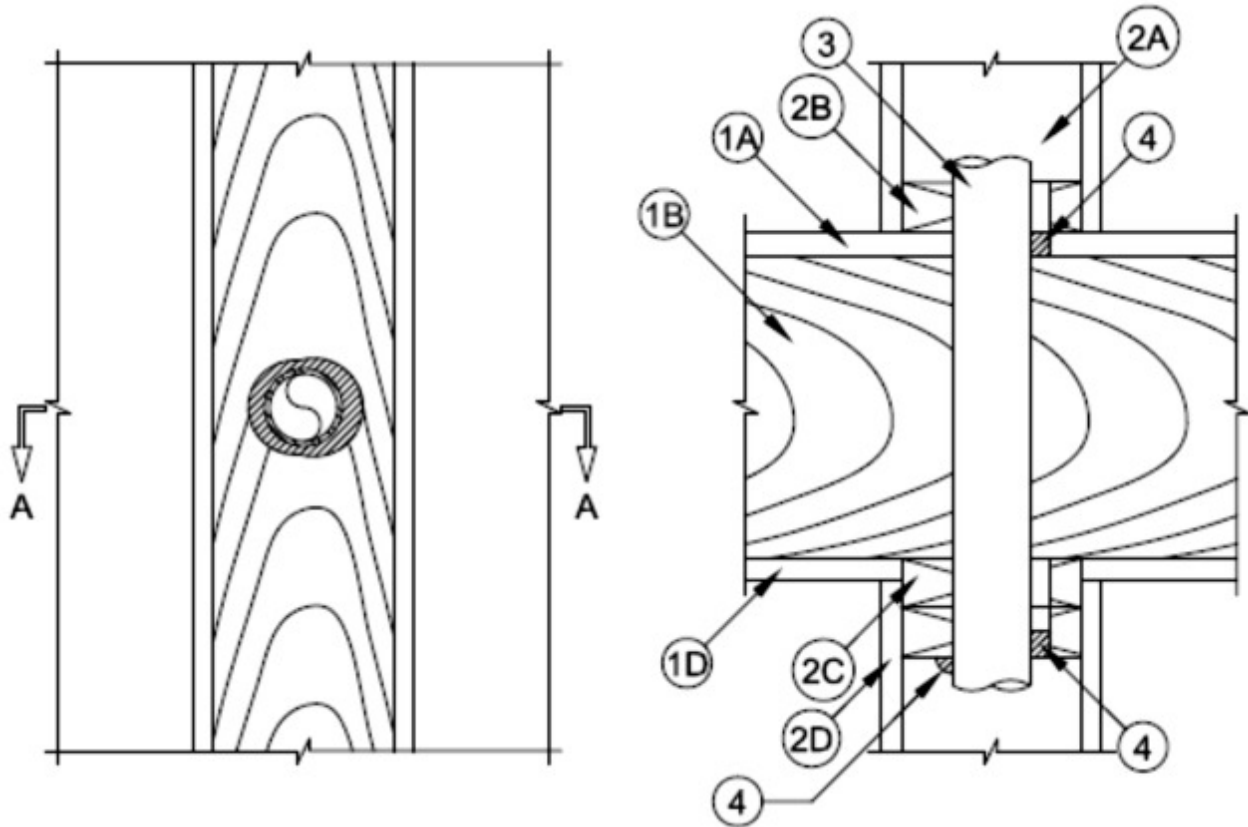
March 26, 2014

F Rating — 1 Hr

T Rating — 1 Hr

L Rating at Ambient — Less Than 1 CFM/sq ft

L Rating at 400 F — Less Than 1 CFM/sq ft



1. **Floor - Ceiling Assembly** — The 1 hr fire-rated wood joist floor-ceiling assembly shall be constructed of the materials and in the manner specified in the individual L500 Designs in the UL Fire Resistance Directory, as summarized below:

A. **Flooring System** — Lumber or plywood subfloor with finish floor of lumber, plywood or **Floor Topping Mixture*** as specified in the individual Floor-Ceiling Design. Max diam of floor opening is 4 in. (102 mm).

B. **Wood Joists** — Nom 10 in. (254 mm) deep (or deeper) lumber, steel or combination lumber and steel joists, trusses or **Structural Wood Members*** with bridging as required and with ends firestopped.

C. **Gypsum Board*** — Nom 5/8 in. (16 mm) thick as specified in the individual Floor-Ceiling Design. Wallboard secured to joists as specified in the individual Floor-Ceiling Design.

2. **Chase Wall** — The through penetrant (Item No. 3) shall be routed through wood stud/gypsum board chase wall and shall include the following construction features:

A. **Studs** — Nom 2 by 6 in. (51 by 152 mm) lumber studs.

B. **Sole Plate** — Nom 2 by 6 in. (51 by 152 mm) lumber plates. Diam of opening or length of notch-out in sole plate to be 1/2 in. (13 mm) larger than outside diam of pipe.

C. **Top Plate** — The double top plate shall consist of two nom 2 by 6 in. (51 by 152 mm) lumber plates. Diam of opening or length of notch-out in top plate to be 1/2 in. (13 mm) larger than outside diam of pipe.

D. **Gypsum Board** — Min 1/2 in. (13 mm) thick rated or nonrated gypsum board.

3. **Through Penetrants** — One nonmetallic pipe to be centered within the firestop system. The annular space between pipe and periphery of opening shall be 0in. (point contact) to 1/2 in. (13 mm) Pipe to be rigidly supported on both sides of floor assembly. The following types and sizes of nonmetallic pipes may be used:

A. **Polyvinyl Chloride (PVC) Pipe** — Nom 3 in. (76 mm) Schedule 40 solid core PVC pipe for use in closed (process or supply) or vented (drain, waste or vent) piping systems.

B. **Chlorinated Polyvinyl Chloride (CPVC) Pipe** — Nom 3 in. (76 mm) diam (or smaller) ADR 13.5 CPVC pipe for use in closed (process or supply) piping systems.

C. **Rigid Non-Metallic Conduit +** — Nom 3 in. (76 mm) Diam (or smaller) PVC conduit installed in accordance with the National Electrical Code (NFPA 70).

D. **Electrical Nonmetallic Tubing+** — Nom 3 in. (76 mm) (or smaller) PVC tubing installed in accordance with the National Electrical Code (NFPA 70).

4. **Firestop System** — The firestop system shall consist of the following:

A. **Fill, Void or Cavity Material* - Caulk** — Min 3/4 in. (19 mm) thickness of fill material applied within annulus, flush with top surface of floor. Min 3/4 in. (19 mm) thickness of fill material applied within annulus, flush with bottom surface of top plate. Min 1/2 in. (13 mm) crown bead at point contact.

RECTORSEAL — Biostop 500+, Biostop 150+, and Biostop 350i.

*Bearing the UL Classification Mark