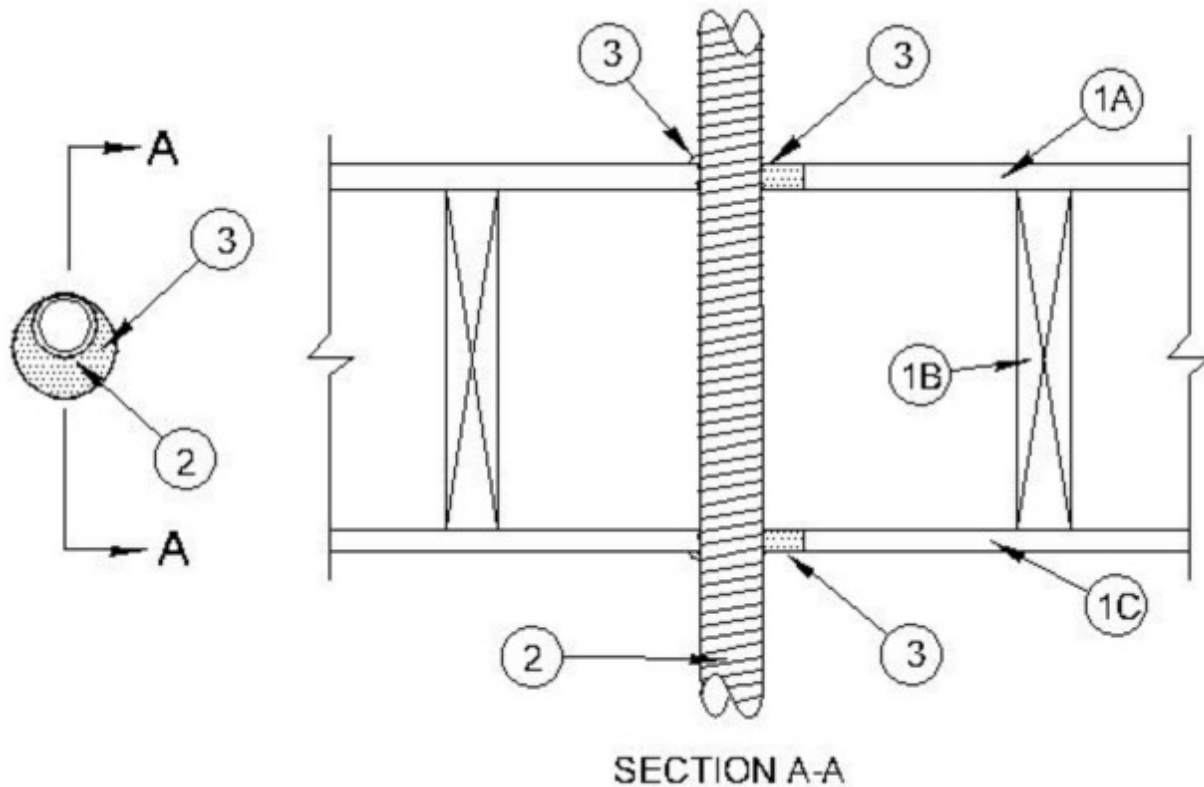


System No. F-C-1156

December 26, 2007

F Rating — 1 Hr

T Rating — 1 Hr



1. Floor - Ceiling Assembly — The 1 hr fire-rated wood joist floor-ceiling assembly shall be constructed of the materials and in the manner specified in the individual L500 Designs in the UL Fire Resistance Directory, as summarized below:

A. Flooring System — Lumber or plywood subfloor with finish floor of lumber, plywood or **Floor Topping Mixture*** as specified in the individual Floor-Ceiling Design. Max diam of floor opening is 3 in. (76 mm).

B. Wood Joists — Nom 10 in. (254 mm) deep (or deeper) lumber, steel or combination lumber and steel joists, trusses or **Structural Wood Members*** with bridging as required and with ends firestopped.

C. Gypsum Board* — Nom 5/8 in. (16 mm) thick as specified in the individual Floor-Ceiling Design. Gypsum board secured to joists as specified in the individual Floor-Ceiling Design. Max diam of ceiling opening is 3 in. (76 mm).

2. Through-Penetrant - Flexible Metal Piping — Nom 2 in. (51 mm) diam (or smaller) flexible metal piping to be installed eccentrically or concentrically within the firestop system. The annular space shall be min 0 in. (0 mm) to max 5/8 in. (6 mm). Piping to be rigidly supported on both sides of floor assembly.

3. Fill, Void or Cavity Material - Caulk — Min 3/4 in. (19 mm) thickness of fill material applied within annulus, flush with top surface of subfloor and min 5/8 in. (16 mm) thickness of fill material applied within annulus, flush with bottom surface of ceiling. At point contact locations, a min 1/4 in. (6 mm) diam bead of fill material shall be applied to the subfloor/piping and ceiling/piping interfaces

*Bearing the UL Classification Mark