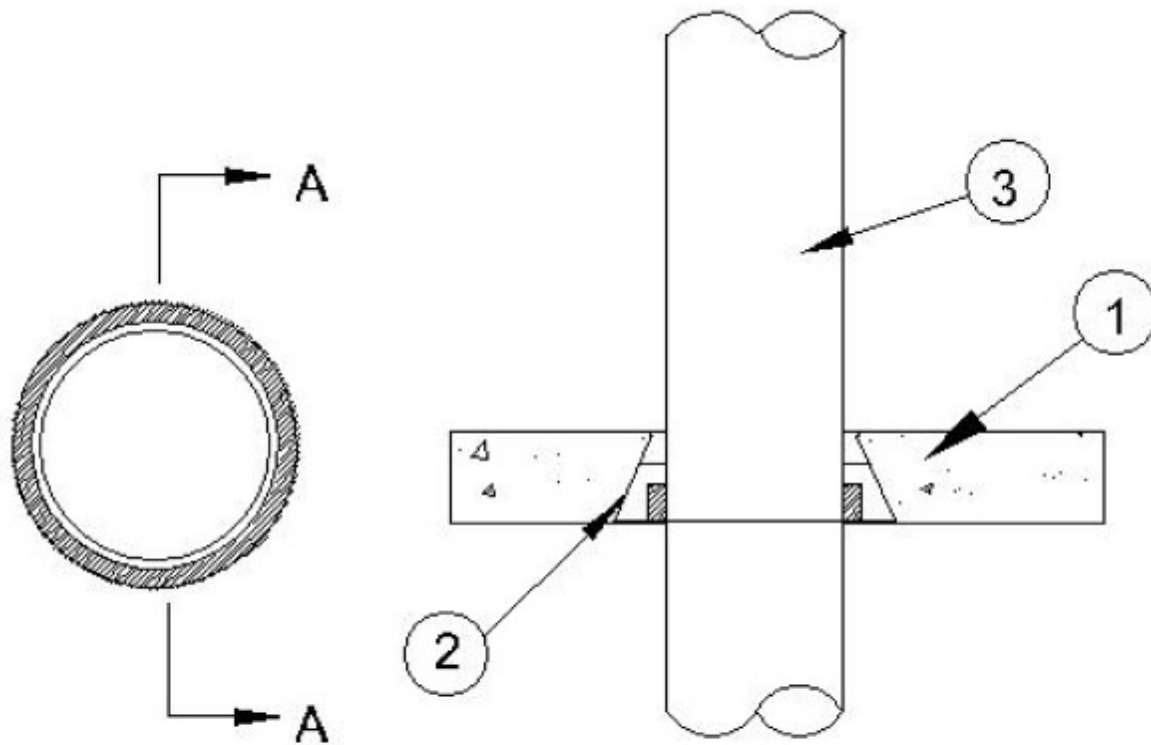


## System No. F-A-1088

February 23, 2007

F Rating — 2 Hr

T Rating — 0 Hr



### Section A-A

1. **Floor Assembly** — Min 2-1/2 in. (64 mm) thick reinforced lightweight or normal weight (100-150 pcf or 1600-2400 kg/m<sup>3</sup>) concrete.

2. **Firestop Devices\*** — Cast in place firestop device permanently embedded during concrete placement in accordance with accompanying installation instructions. The device may project up to a max of 3-1/2 in. (89 mm) above top surface of floor or trimmed flush with top surface of floor. The devices are provided in nom 2 in. (51mm) and 4 in. (102 mm) size.

**RECTORSEAL** — Biostop Cast -in- Place Firestop Device

3. **Through Penetrants** — One metallic pipe, tubing or conduit installed within the firestop system. Penetrant to be rigidly supported on both sides of floor assembly. The penetrant size shall be nom 2 in. (51 mm) diam for nom 2 in. device and nom 4 in. (102 mm) diam. for the nom 4 in. device. The following types of metallic penetrants may be used:

- A. **Steel Pipe** — Schedule 5 (or heavier) steel pipe.
- B. **Iron Pipe** — Cast or ductile iron pipe.
- C. **Conduit** — Steel conduit or steel electrical metallic tubing.
- D. **Copper Tubing** — Type L (or heavier) copper tubing.

E. **Copper Pipe** — Regular (or heavier) copper pipe.

\*Bearing the UL Classification Mark