



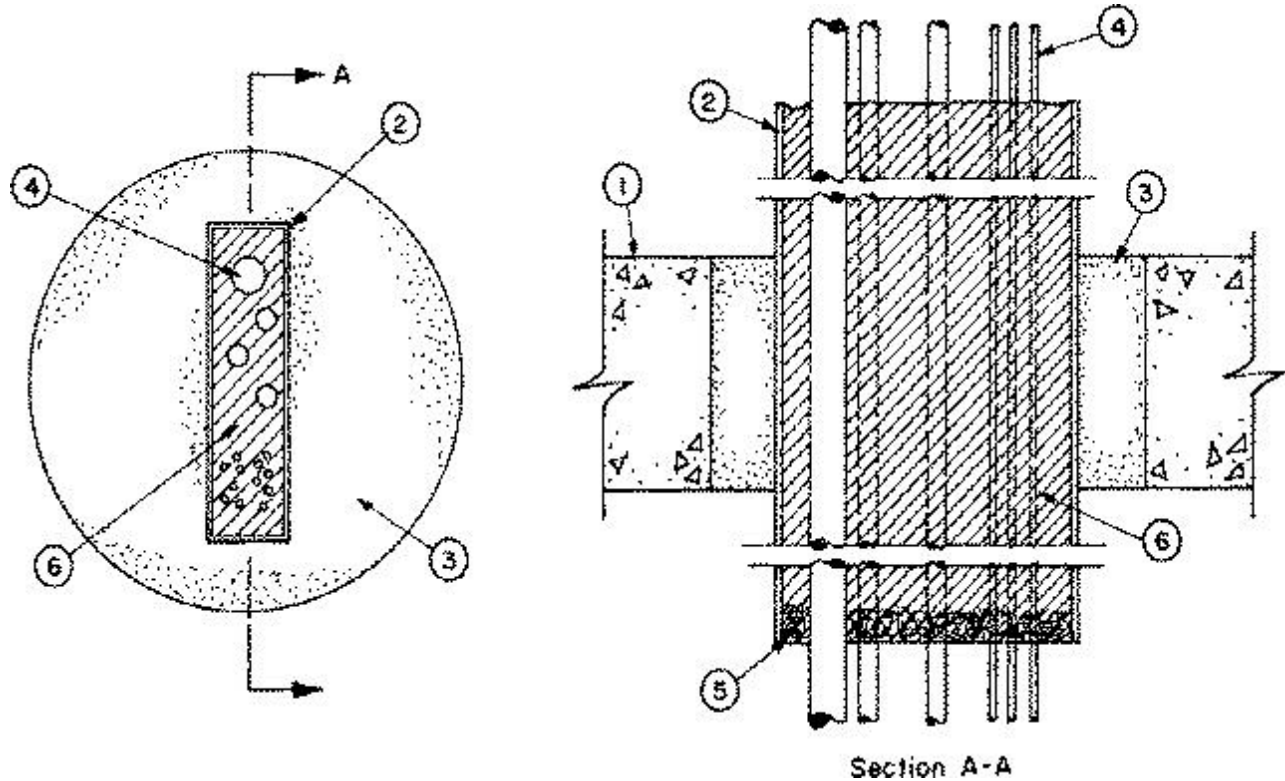
System No. C-BJ-3006

September 14, 2002

(Formerly System No. 46)

F Rating — 3 Hr

T Ratings — 1-1/2 and 3 Hr (See Item 4)



1. **Floor or Wall Assembly** — Min 6-1/2 in. thick reinforced normal weight (140-155 pcf) concrete. Wall may also be constructed of any UL Classified **Concrete Blocks***. Max diam opening 10 in.

See **Concrete Blocks** (CAZT) category in the Fire Resistance Directory for names of manufacturers.

2. **Nonmetallic Sleeve** — Nom 2 by 8 in. rectangular polyvinyl chloride cable duct or nom 4 in. diam Schedule 40 polyvinyl chloride pipe, min 20 in. long. Sleeve installed symmetrically in floor or wall assembly. A nom annular space of 2 in. is required within the firestop system. Sleeve to be rigidly supported on both sides of floor or wall assembly.

3. **Fill, Void or Cavity Material* — Mortar** — Min 6-1/2 in. thickness of fill material applied within annulus surrounding nonmetallic sleeve flush with both sides of floor or wall assembly. Mortar material supplied as a dry powder, mixed with water and pumped or poured into the annular space. Removable rigid sheet material forms cut to fit contour of sleeve used beneath floor and on both sides of wall to prevent leakage during placement.

RECTORSEAL — Bio K10+ Mortar

4. **Cables** — Aggregate cross-sectional area of cables in sleeve to be max 11 percent of cross-sectional area of sleeve. Cables to be rigidly supported on both sides of floor or wall assembly. Any combination of the following types and sizes of copper conductor cables may be used:

- A. Max 300 kcmil single-conductor power cables; ethylene propylene insulation, chlorosulfonated polyethylene or neoprene jacket. **When max 300 kcmil single-conductor power cables are used, T Rating is 1-1/2 h.**

B. Max 24 pair No. 20 AWG telephone cable; polyvinyl chloride (PVC) insulation and jacket.
When max 24 pair telephone cables are used, T Rating is 3 h.

C. Max No. 14 AWG bridle wire; PVC insulation. **When max 14 AWG bridle wire is used, T Rating is 3 h.**

5. **Packing Material** — Loose alumina silica fiber or strips of alumina silica fiber blanket packed between cables and between cables and sleeve wall to prevent leakage of the fill material.

6. **Fill, Void or Cavity Materials*** — **Caulk** — Fill material installed to completely fill nonmetallic sleeve.

RECTORSEAL — Biostop 500 or Biostop 500+ Caulk.

*Bearing the UL Classification Mark