

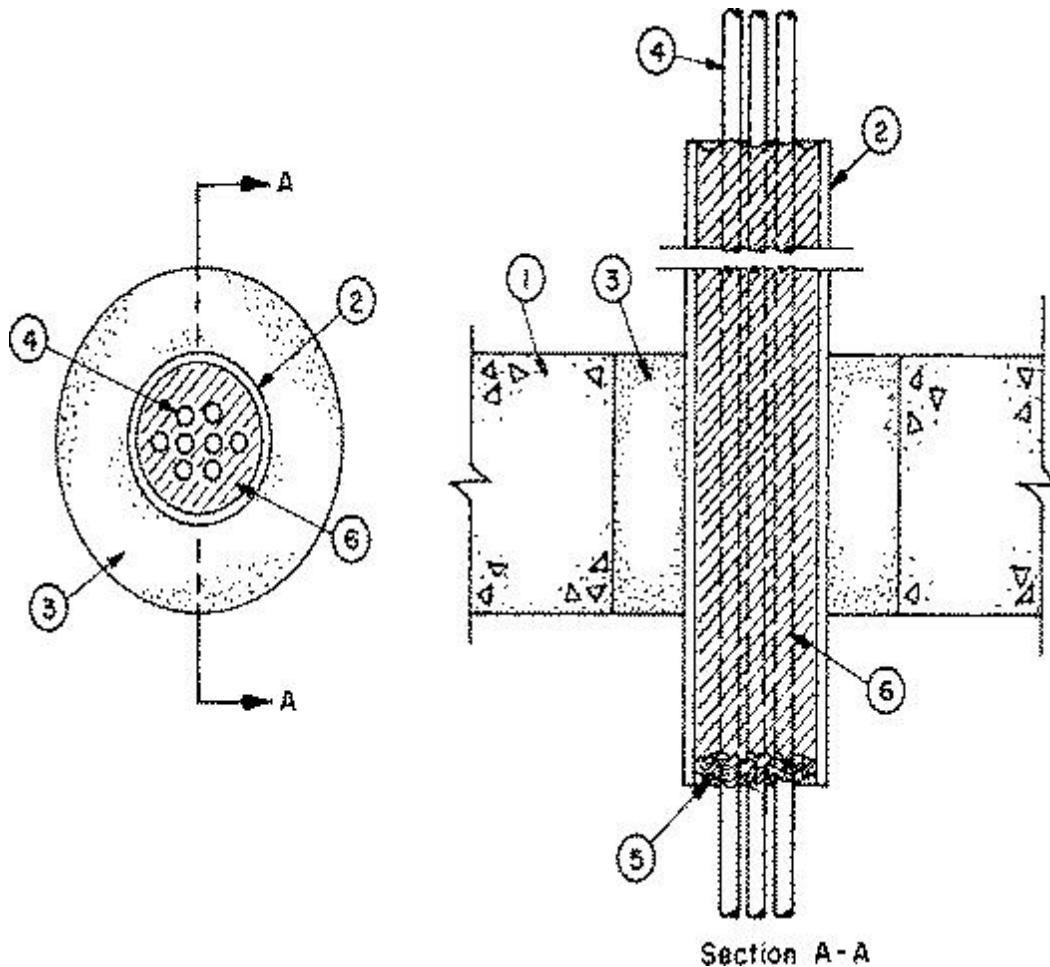
System No. C-BJ-3004

September 14, 2002

(Formerly System No. 44)

F Rating — 3 Hr

T Rating — 3 Hr



1. **Floor or Wall Assembly** — Min 6-1/2 in. thick reinforced normal weight (140-155 pcf) concrete. Wall may also be constructed of any UL Classified **Concrete Blocks***. Max size opening 10 in. diam.

See **Concrete Blocks*** (CAZT) category in the Fire Resistance Directory for names of manufacturers.

2. **Nonmetallic Sleeve** — Nom 4 in. diam Schedule 40 polyvinyl chloride pipe, min 20 in. long for floor assemblies, min 26 in. long for wall assemblies. Sleeve installed with min 4 in. projecting below floor and with 9 in. projecting above floor. Sleeve installed symmetrically in wall assemblies. A nom annular space of 2 in. is required within the firestop system. Sleeve to be rigidly supported on both sides of floor or wall assembly.

3. **Fill, Void or Cavity Material* — Mortar** — Min 6-1/2 in. thickness of fill material applied within annulus surrounding nonmetallic sleeve flush with both sides of floor or wall assembly. Mortar material supplied as a dry powder, mixed with water and pumped or poured into the annular space. Removable rigid sheet material forms cut to fit the contour of sleeve to be used beneath floor and on both sides of wall to prevent leakage during placement.

RECTORSEAL — Bio K10+ Mortar

4. **Cables** — Aggregate cross-sectional area of cables in sleeve to be max 16 percent of cross-sectional area of sleeve. The following types and sizes of copper conductor cables may be used:

A. Max 24 pair, No. 20 AWG telephone cable; polyvinyl chloride (PVC) insulation and jacket.

B. Max No. 14 AWG bridle wire; PVC insulation.

5. **Packing Material** — Loose alumina silica fiber or strips of alumina silica fiber blanket packed between cables and between cables and sleeve wall to prevent leakage of the fill material.

6. **Fill, Void or Cavity Materials*** — **Caulk** — Fill material installed to completely fill the nonmetallic sleeve.

RECTORSEAL — Biostop 500 or Biostop 500+ Caulk

*Bearing the UL Classification Mark