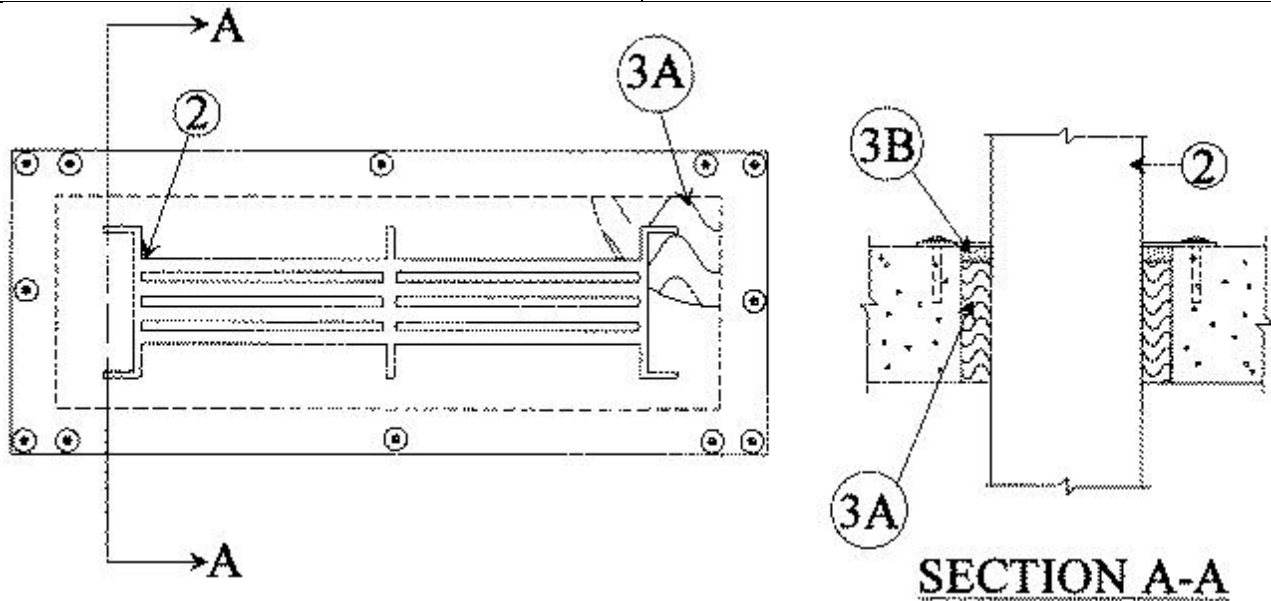




System No. C-AJ-6013

February 06, 2014

ANSI/UL1479 (ASTM E814)	CAN/ULC S115
F Rating — 2 Hr	F Rating — 2 Hr
T Rating — 0 Hr	FT Rating — 0 Hr
L Rating At Ambient — Less Than 1 CFM/sq ft	FH Rating — 2 Hr
L Rating At 400 F — Less Than 1 CFM/sq ft	FTH Rating — 0 Hr
	L Rating At Ambient — Less Than 1 CFM/sq ft
	L Rating At 400 F — Less Than 1 CFM/sq ft



1. **Floor or Wall Assembly** — Min 4-1/2 in. (114 mm) thick reinforced lightweight or normal weight (100-150 pcf or 1600-2400 kg/m³) concrete floor or min 5 in. (127 mm) thick reinforced lightweight or normal weight concrete wall. Wall may also be constructed of any UL Classified **Concrete Blocks***. Max area of opening is 360 sq in. (2323 cm²) with max dimensions of 30 in. (762 mm).

See **Concrete Blocks** (CAZT) category in the Fire Resistance Directory for names of manufacturers.

2. **Busway+** — Nom 27 in. (686 mm) wide (or smaller) by 6 in. (152 mm) deep "I" shaped aluminum and steel enclosure containing factory mounted aluminum bars rated for 600 V, 4000 A. One busway to be installed within the opening. The annular space between the flange tip of the busway the periphery of the opening shall be a nom 2 in. (51 mm). The annular space between the web section of the busway the periphery of the opening shall be a nom 5-1/4 in. (133 mm). Busway to be rigidly supported on both sides of floor and wall assembly. The busway shall bear the UL Listing Mark and shall be installed in accordance with all provisions of the National Electrical Code, NFPA 70. After installation of the firestop system (Item 3), a min 1/8 in. (3.2 mm) thick steel cover plate provided by busway manufacturer shall be installed on top surface of floor and both surfaces of wall assembly. Steel cover plate secured in place by means of 1/4 in. (6 mm) diam by 1-3/4 in. (44 mm) long concrete anchors in conjunction with 1/4 by 1-3/4 in. (6 by 44 mm) diam fender washers in accordance with busway manufacturers' installation instructions.

3. **Firestop System** — The firestop system shall consist of the following:

A. **Packing Material** — Min 4 in. (102 mm) thickness of min 6 pcf (96 kg/m³) mineral wool batt insulation firmly packed into opening as a permanent form. Packing material to be recessed from top surface of floor and from both surfaces of wall to accommodate the required thickness of fill material.

B. Fill, Void or Cavity Material* — Sealant — Min 1/2 in. (13 mm) thickness of fill material applied within the annulus, flush with top surface of floor and both surfaces of wall.

RECTORSEAL — FlameSafe FS 1900, Metacaulk 1000, Metacaulk 350i, Biostop 350i or Biostop 500+

+Bearing the UL Listing Mark

* Indicates such products shall bear the UL or cUL Certification Mark for jurisdictions employing the UL or cUL Certification (such as Canada), respectively.