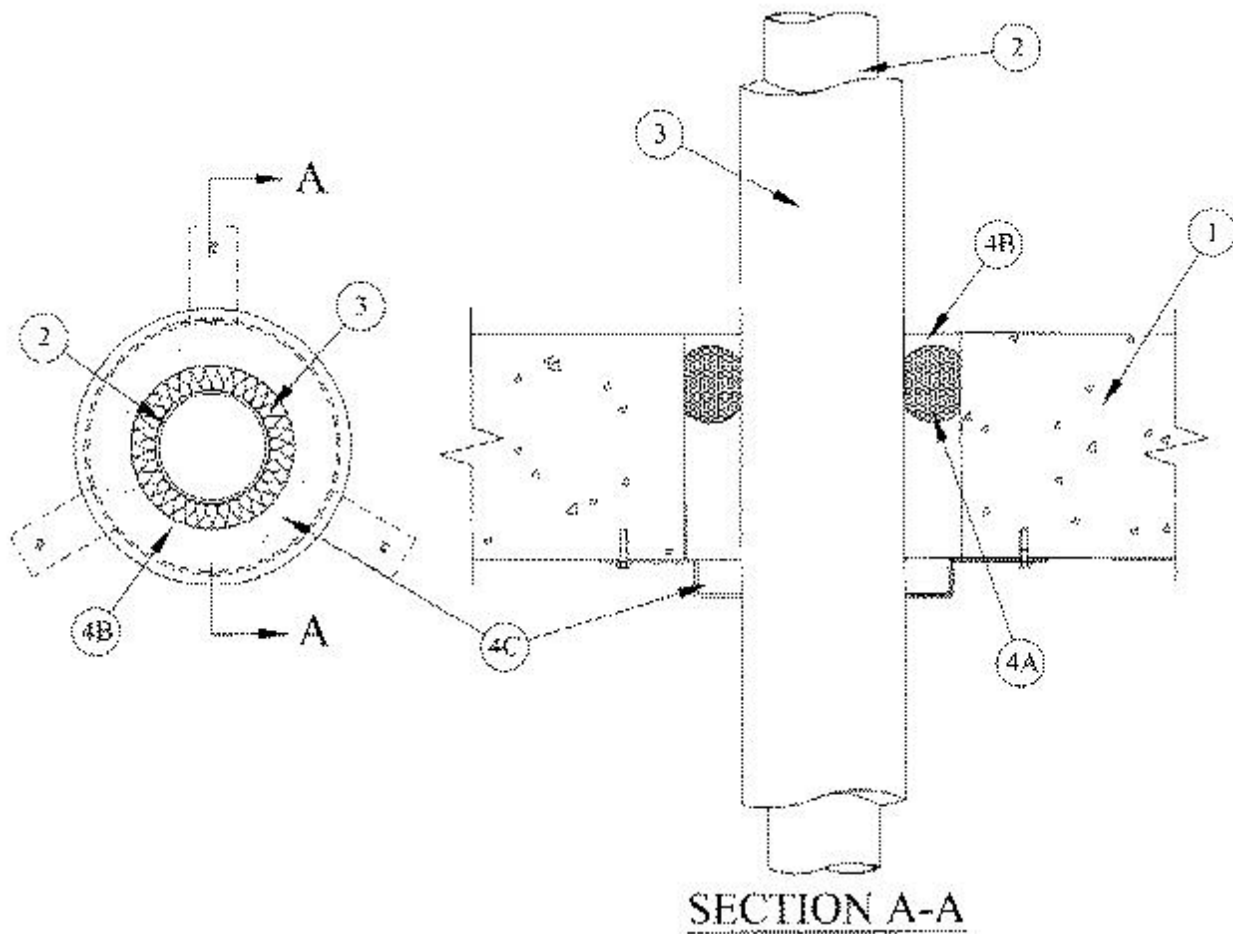


System No. C-AJ-5160

December 07, 2000

F Rating — 2 Hr

T Rating — 1-3/4 Hr



1. **Floor or Wall Assembly** — Min 4-1/2 in. thick reinforced lightweight or normal weight (100-150 pcf) concrete. Wall may also be constructed of any UL Classified **Concrete Blocks***. Max diam of opening is 6 in.

See **Concrete Blocks** (CAZT) category in the Fire Resistance Directory for names of manufacturers.

2. **Through Penetrants** — One nonmetallic pipe or tubing to be installed concentrically within the firestop system. Pipe or tubing to be rigidly supported on both sides of floor or wall assembly. The following type and size of metallic pipe or tubing may be used:

Polyvinyl Chloride (PVC) Pipe — Nom 2 in. diam (or smaller) Schedule 40 solid core PVC pipe for use in closed (process or supply) or vented (drain, waste or vent) piping systems.

3. **Pipe Covering*** — Nom 1 in. thick hollow cylindrical heavy density (min 3.5 pcf) glass fiber units jacketed on the outside with an all service jacket. Longitudinal joints sealed with metal fasteners or factory-applied self-sealing lap tape. Transverse joints secured with metal fasteners or with butt tape supplied with the product. The annular space between insulated pipe and periphery of opening shall be 13/16 in.

See **Pipe and Equipment Covering Materials (BRGU)** category in the Building Materials Directory for names of manufacturers. Any pipe covering material meeting the above specifications and bearing the UL Classification Marking with a Flame Spread Index of 25 or less and a Smoke Developed Index of 50 or less may be used.

4. **Firestop System** — The firestop system shall consist of the following:

A. **Packing Material** — Foam backer rod firmly packed into opening as a permanent form. Forming material to be recessed from both surfaces of wall as required to accommodate the required thickness of fill material.

B. **Fill, Void or Cavity Material* — Caulk** — Min 1/4 in. thickness of fill material applied within the annulus flush with top surface of floor or on both surfaces of wall.

RECTORSEAL — Biostop 500+v

C. **Firestop Device*** — Galv steel collar lined with an intumescent material sized to fit specific diam of the through penetrant. Device to be installed around through penetrant in accordance with accompanying installation instructions. Device incorporates anchor tabs for securement to underside of the concrete floor by means of 1/4 in. diam by 1-1/4 in. long steel expansion bolts or Tapcon® concrete anchors. Device secured at each tab. In walls, collars are installed on each side of wall.

RECTORSEAL — Biostop Pipe Collar

*Bearing the UL Classification Mark