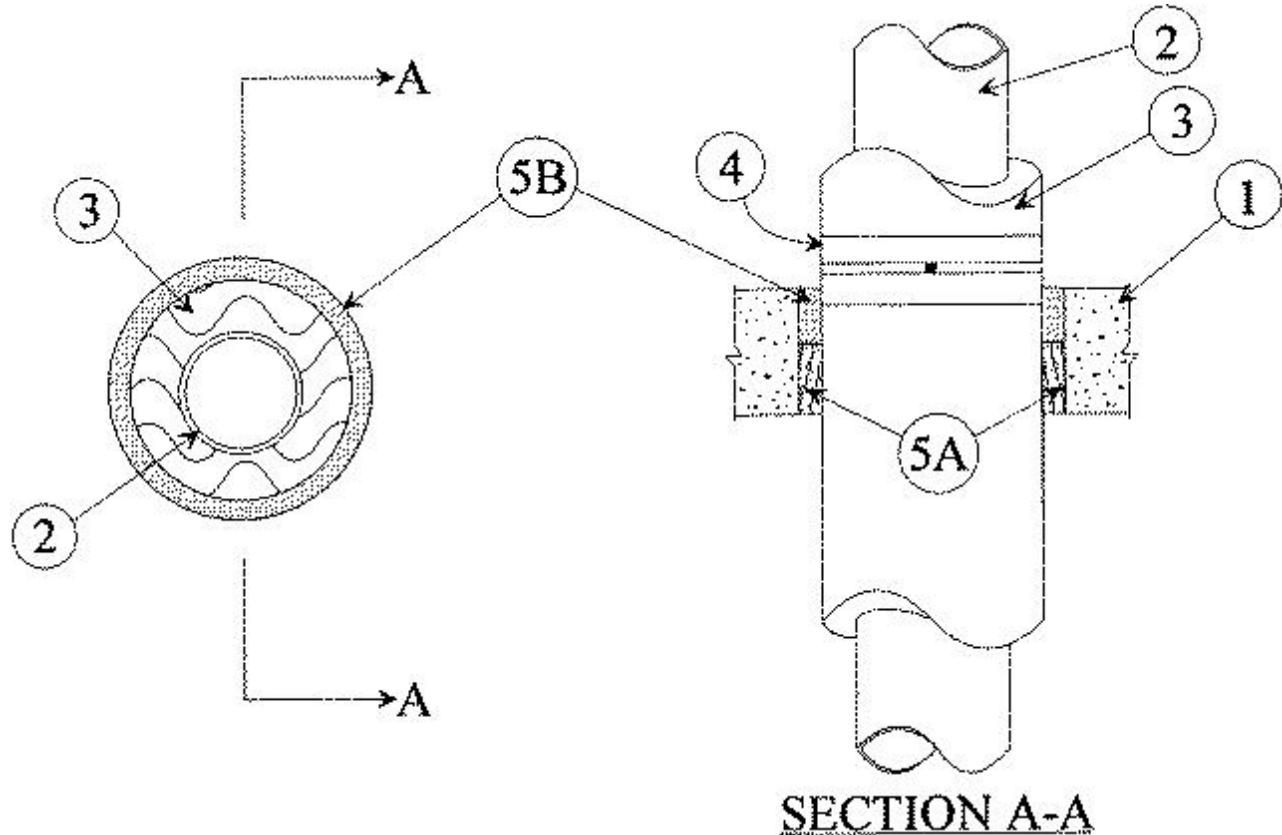


System No. C-AJ-5082

December 20, 1995

F Rating — 2 HR

T Rating — 1 HR



1. **Floor or Wall Assembly** — Min 4-1/2 in. thick reinforced lightweight or normal weight (100-150 pcf) concrete floor or min 6-1/2 in. thick reinforced lightweight or normal weight concrete wall. Wall may also be constructed of any UL Classified **Concrete Blocks***. Max diam of opening is 18 in.

See **Concrete Blocks** (CAZT) category in the Fire Resistance Directory for names of manufacturers.

2. **Steel Pipe** — Nom 10 in. diam (or smaller) Schedule 10 (or heavier) steel pipe. One pipe to be installed either concentrically or eccentrically within the firestop system. Pipe to be rigidly supported on both sides of floor or wall assembly.

3. **Pipe Covering*** — Nom 3 in. thick hollow cylindrical heavy density (min 3.5 pcf) glass fiber units jacketed on the outside with an all service jacket. Longitudinal joints sealed with metal fasteners or factory-applied self-sealing lap tape. Transverse joints secured with metal fasteners or with butt tape supplied with the product. The annular space shall be min 1/2 to max 7/8 in.

See **Pipe and Equipment Covering — Materials** (BRGU) category in the Building Materials Directory for names of manufacturers. Any pipe covering material meeting the above specifications and bearing the UL Classification Marking with a Flame Spread Index of 25 or less and a Smoke Developed Index of 50 or less may be used.

4. **Metal Jacket** — Min 6 in. wide jacket formed of min 0.019 in. thick steel sheet cut to wrap tightly around the pipe insulation with a min 4-1/2 in. lap. Jacket secure with min 1/2 in. wide stainless steel hose clamp located at the center of the jacket. Jacket to be installed on top of floor or both surfaces of wall and recessed into the opening 1/2 in.

5. **Firestop System** — The firestop system shall consist of the following:

A. **Packing Material** — Min 2-1/2 in. thickness of min 4.0 pcf mineral wool batt insulation firmly packed into opening as a permanent form. Packing material to be recessed from top surface of floor or from both surfaces of wall as required to accommodate the required thickness of fill material.

B. **Fill, Void or Cavity Material*** — **Caulk** — Min 2 in. thickness of fill material applied within the annulus, flush with top surface of floor or with both surfaces of wall.

RECTORSEAL — Biostop 500+ Caulk.

*Bearing the UL Classification Mark