

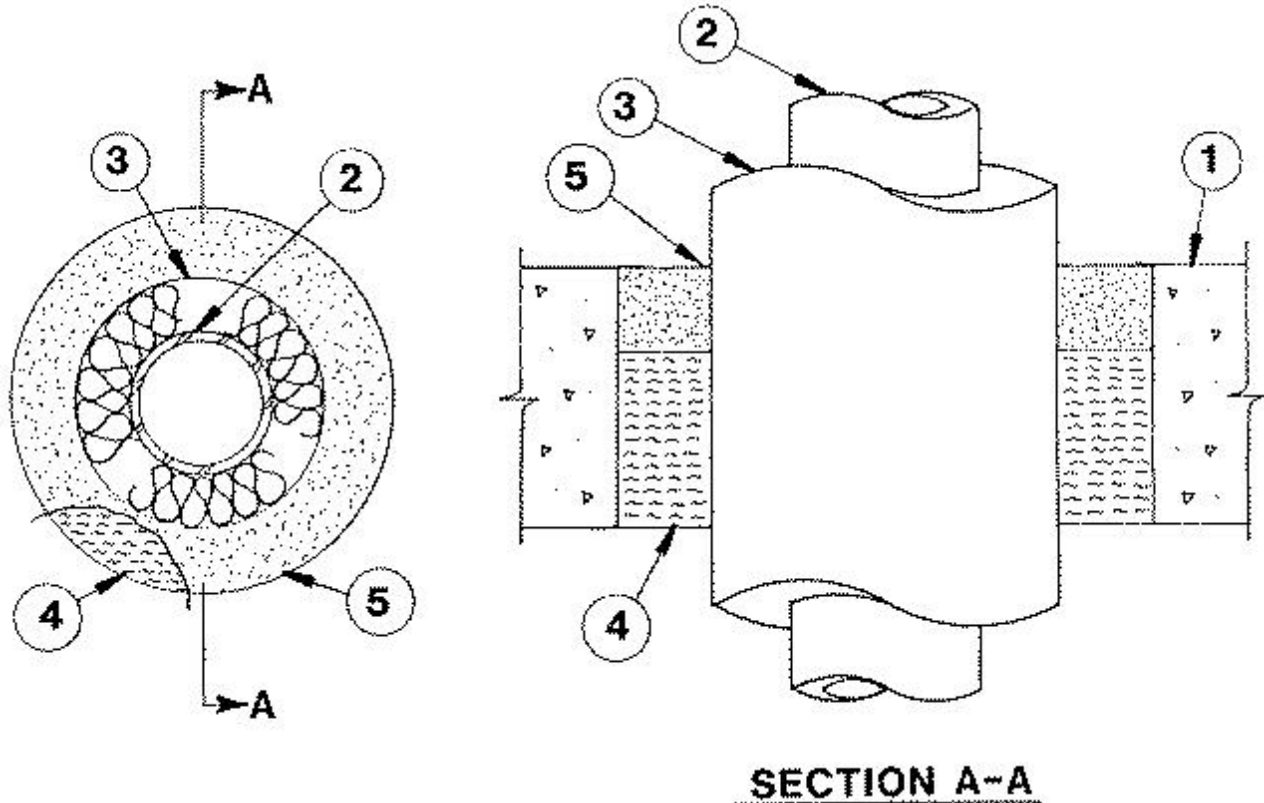
## System No. C-AJ-5016

November 23, 2002

(Formerly System No. 393)

F Rating — 3 Hr

T Rating — 2-1/2 Hr



1. **Floor or Wall Assembly** — Min 4-1/2 in. thick reinforced lightweight or normal weight (100-150 pcf) concrete floor or min 6 in. thick reinforced lightweight or normal weight concrete wall. Wall may also be constructed of UL Classified **Concrete Blocks\***. Max diam of opening is 6 in.

See **Concrete Block** (CAZT) category in the Fire Resistance Directory for names of manufacturers.

2. **Through Penetrants** — One metallic pipe or tubing to be centered within the firestop system. Pipe or tubing to be rigidly supported on both sides of floor or wall assembly. The following types and sizes of metallic pipes or tubing may be used:

A. **Steel Pipe** — Nom 2 in. diam (or smaller) Schedule 5 (or heavier) steel pipe.

3. **Pipe Covering\*** — Nom 1 in. thick hollow cylindrical heavy density (min 4 pcf) glass fiber units jacketed on the outside with an all service jacket. Longitudinal joints sealed with mechanical fasteners or factory applied self-sealing lap tape. Transverse joints secured with metal fasteners or with butt tape supplied with the product. A nom 3/4 in. annular space is required within the firestop system.

See Pipe and Equipment Covering-Materials — (BRGU) category in Building Materials Directory for names of manufacturers. Any pipe covering material meeting the above specifications and bearing the UL Classification Marking with a Flame Spread Index of 25 or less and a Smoke Developed Index of 50 or less may be used.

4. **Packing Material** — Min 3 in. thickness of min 4.0 pcf mineral wool batt insulation firmly packed into opening as a permanent form. Packing material to be recessed from top surface of floor or from both surfaces of wall as required to accommodate the required thickness of fill material.

5. **Fill, Void or Cavity Material\* — Caulk** — Nom 1-1/2 in. thickness of fill material applied within annulus, flush with top surface of floor and with both surfaces of wall.

**RECTORSEAL** — Biostop 500 or Biostop 500+ Caulk.

\*Bearing the UL Classification Mark