

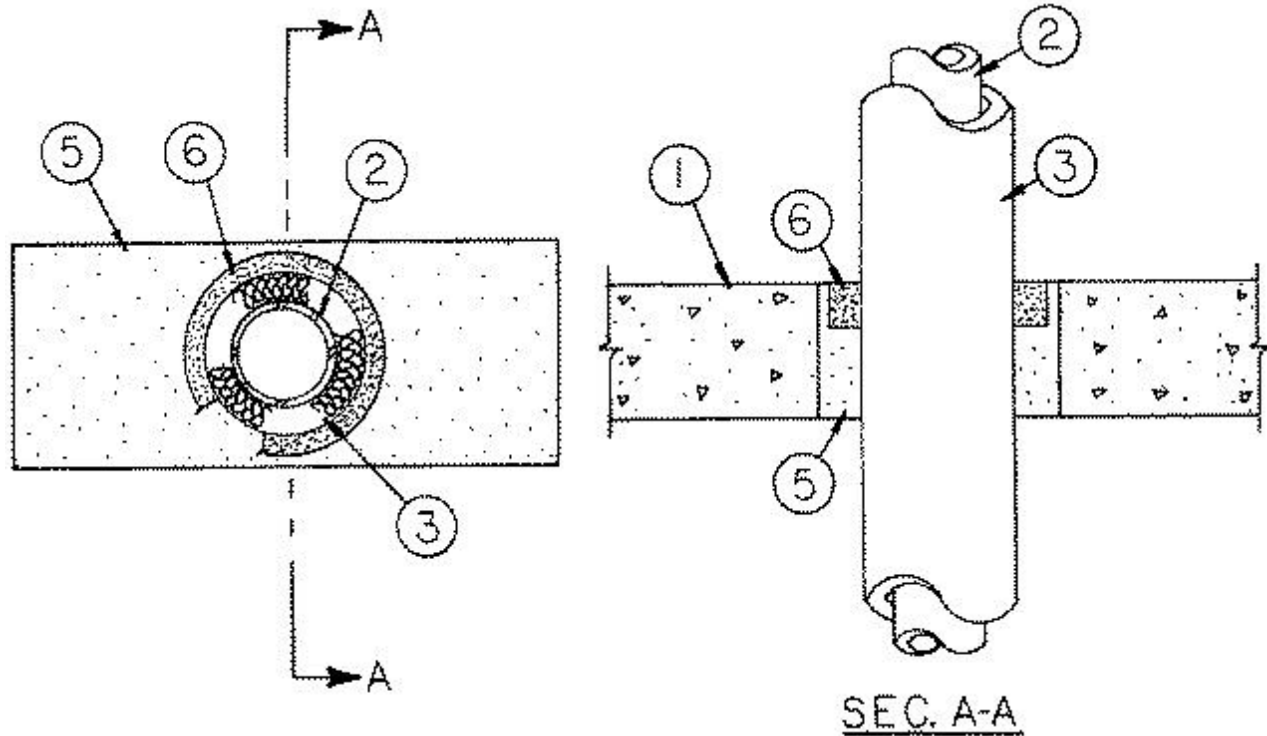
System No. C-AJ-5006

November 23, 2002

(Formerly System No. 252)

F Rating — 3 Hr

T Rating — 0 Hr



1. **Floor or Wall Assembly** — Min 4-1/2 in. thick reinforced lightweight or normal weight (100-150 pcf) concrete floor or min 6 in. thick reinforced lightweight or normal weight concrete walls. Wall may also be constructed of any UL Classified **Concrete Blocks***. Max area of opening is 108 sq in. with max dimension of 18 in.

See **Concrete Block** (CAZT) category in the Fire Resistance Directory for names of manufacturers.

2. **Through Penetrants** — One metallic pipe or tubing to be centered within the firestop system. A min annular space of 2-1/2 in. is required within the firestop system. Pipe or tubing to be rigidly supported on both sides of floor or wall assembly. The following types and sizes of metallic pipes or tubing may be used:

A. **Steel Pipe** — Nom 3 in. diam (or smaller) Schedule 5 (or heavier) steel pipe.

B. **Copper Tubing** — Nom 3 in. diam (or smaller) Type L (or heavier) copper tubing.

3. **Pipe Covering*** — Nom 1 in. thick hollow cylindrical heavy density (min 3.5 pcf) glass fiber units jacketed on the outside with an all service jacket. Longitudinal joints sealed with metal fasteners or factory-applied self-sealing lap tape. Transverse joints secured with metal fasteners or with butt tape supplied with the product.

See Pipe and Equipment Covering-Materials* — (BRGU) category in Building Materials Directory for names of manufacturers. Any pipe covering material meeting the above specifications and bearing the UL Classification Marking with a Flame Spread Index of 25 or less and a Smoke Developed Index of 50 or less may be used.

4. **Forms** — (Not Shown) — Used as a form to prevent leakage of fill material during installation. Forms to be a rigid sheet material, cut to fit the contour of the penetrating items and fastened to the underside of floor or both sides of wall. A nom 1 in. thick by 1-1/2 in. wide strip of flexible forming material shall be wrapped around pipe covering material (Item 3) to create a nom 1 in. wide by 1-1/2 in. deep cavity in the mortar fill material around the circumference of the pipe covering on the top

surface of floor or on both sides of wall. Forms to be removed after fill material has cured.

5. Fill, Void or Cavity Materials* — Mortar — Min 4-1/2 in. thickness of fill material applied within the annulus, flush with top surface of floor or both surfaces of wall except for nom 1 in. wide by 1-1/2 in. deep cavity(ies) described in Item 4.

RECTORSEAL — Bio K10+ Mortar

6. Fill, Void or Cavity Materials* — Caulk — Min 1-1/2 in. thickness of fill material applied within the nom 1 in. wide by 1-1/2 in. deep cavity around the circumference of the pipe covering on the top surface of floor or both sides of wall.

RECTORSEAL — Bio 500 or Biostop 500+ Caulk.

*Bearing the UL Classification Mark