

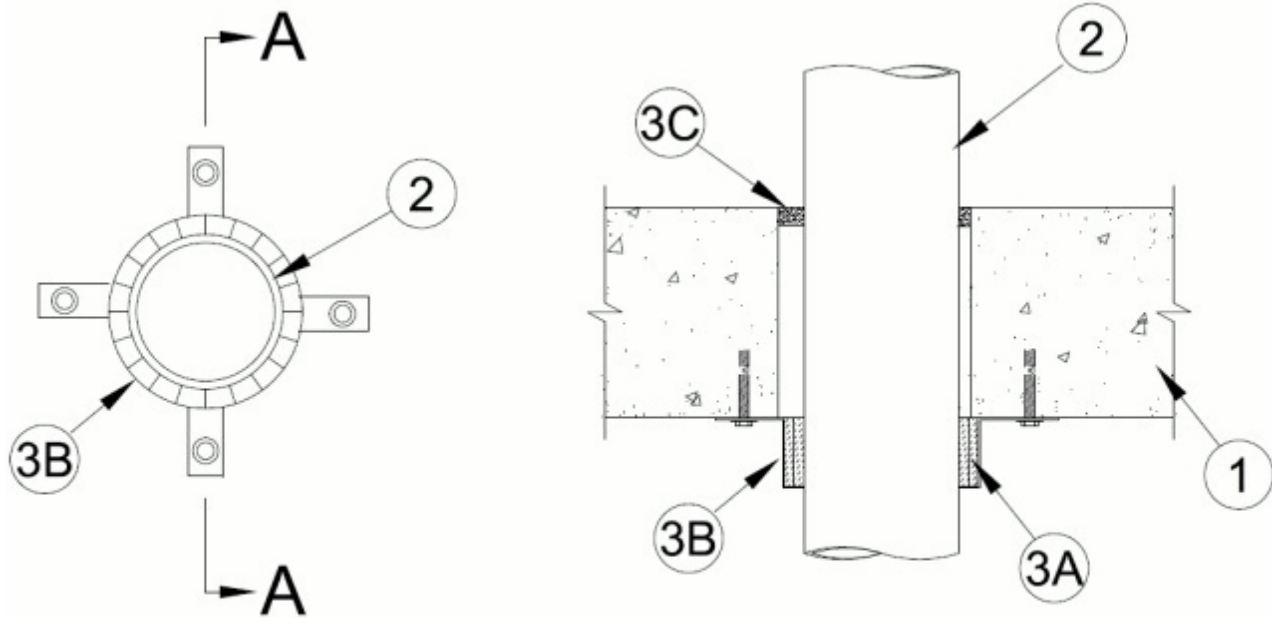


### System No. C-AJ-2702

August 12, 2014

F Rating — 2 Hr

T Rating — 2 Hr



## Section A-A

1. **Floor or Wall Assembly** — Min 4-1/2 in. (114 mm) thick reinforced lightweight or normal weight (100-150 pcf or 1600-2400 kg/m<sup>3</sup>) concrete. Wall may also be constructed of any UL Classified **Concrete Blocks**\*. Max diam of opening is 5 in. (127 mm).

See **Concrete Blocks** (CAZT) in the Fire Resistance Directory for names of manufacturers.

2. **Through Penetrants** — One nonmetallic pipe to be installed either eccentrically or concentrically within the firestop system. The annular space shall be min 0 in. (point contact) to max 7/8 in. (22 mm). Pipe to be rigidly supported on both sides of floor or wall assembly. The following types and sizes of nonmetallic pipes may be used:

A. **Crosslinked polyethylene (PEX) Tubing** — Nom 4 in. (102 mm) diam (or smaller) UPONOR - WIRSBO hePEX crosslinked polyethylene (PEX) pipe for use in closed (process or supply) piping systems.

3. **Firestop System** — The firestop system shall consist of the following:

A. **Fill, Void or Cavity Material\*** — **Caulk** — Min 1/2 in. thickness of fill material applied within the annulus, flush with top surface of floor or both surfaces of wall.

**RECTORSEAL** — Metacaulk 1000, Biostop 500+, FlameSafe 1900

B. **Fill, Void or Cavity Material\*** — **Wrap Strip** — Nom 1/4 in. (6 mm) thick by 2 in. (51 mm) wide intumescent wrap strip. Two layers of wrap strip are individually wrapped around the through-penetrant with ends butted and held in place with masking tape. Butted ends in successive layer shall be offset. Wrap strip butted tightly against bottom surface of floor or both surfaces of wall.

**RECTORSEAL** — Metacaulk Wrap Strip, Biostop Wrap Strip or Flamesafe Wrap Strip

C. **Steel Collar** — Collar fabricated from coils of precut min 0.016 in. thick (0.41 mm) galv steel available from fill material manufacturer shall be installed to restrain wrap strip. Collar shall be nom 2 in. (51 mm) deep with 1 in. (25 mm) wide by 1-1/2 in. (38 mm) long anchor tabs located 4 in. (102 mm) on center for attachment to the underside of floor or both surfaces of wall. In addition, collar provided with 1/2 in. (13 mm) wide by 3/4 in. (19 mm) long retainer tabs opposite the anchor tabs. Collar shall be wrapped over the wrap strip, overlapping min 1 in. (25 mm) and secured with two steel screws or stainless steel hose clamp. The retainer tabs are folded 90 deg towards the pipe to maintain the annular space around the pipe and to retain the wrap strip. Collar secured to bottom surface of the floor or both surfaces of wall at each anchor tab by means of min 1/4 in. (6 mm) diam by 1-1/4 in. (32 mm) long steel expansion bolts or steel Tapcon® concrete anchors in conjunction with 1/4 in. (6 mm) by 5/8 in. (16 mm) diam washers.

\* Indicates such products shall bear the UL or cUL Certification Mark for jurisdictions employing the UL or cUL Certification (such as Canada), respectively.