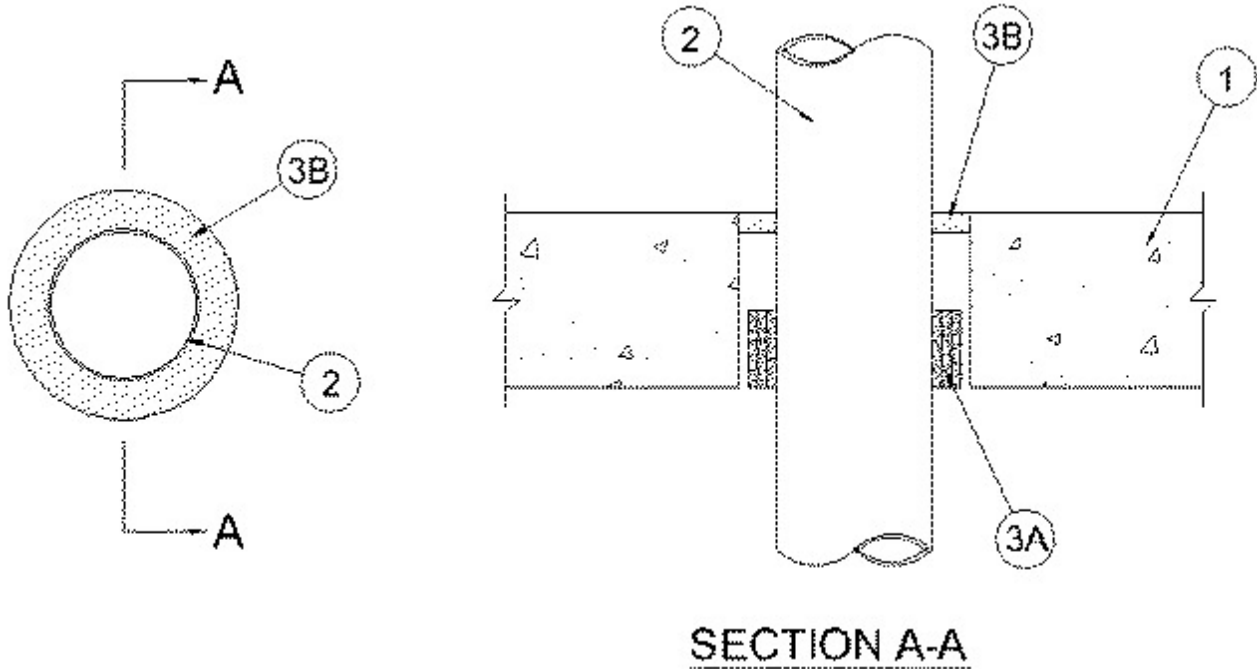


System No. C-AJ-2499

August 30, 2004

F Rating — 2 Hr

T Rating — 2 Hr



1. **Floor or Wall Assembly** — Min 4-1/2 in. thick reinforced lightweight or normal weight (100-150 pcf) concrete. Wall may also be constructed of any UL Classified Concrete Blocks*. Max diam of opening 6 in.

See **Concrete Blocks** (CAZT) category in Fire Resistance Directory for names of manufacturers.

2. **Flame Retardant Polypropylene (FRPP) Pipe** — Nom 4 in. diam (or smaller) Schedule 40 (or heavier) FRPP pipe for use in closed (process or supply) or vented (drain, waste or vent) piping systems. Annular space between pipe and periphery of the opening shall be 3/4 in. Pipe to be rigidly supported on both sides of floor or wall.

3. **Firestop System** — The firestop system shall consist of the following:

A. **Fill, Void or Cavity Materials* - Wrap Strip** — Nom 1/4 in. thick by 2 in. wide intumescent wrap strips. Three layers of wrap strip is wrapped tightly encompassing the penetrant with the ends butted and held in place with duct tape. Wrap strip to be recessed from top or bottom surface of floor or from both surfaces of wall to accommodate the required thickness of fill material (See item 3B).

RECTORSEAL — Biostop Wrap Strip

B. **Fill, Void or Cavity Material* - Sealant** — Min 1/2 in. thickness of sealant applied within the annulus, flush with top surface of floor or both surfaces of wall.

RECTORSEAL — Biostop 500+