

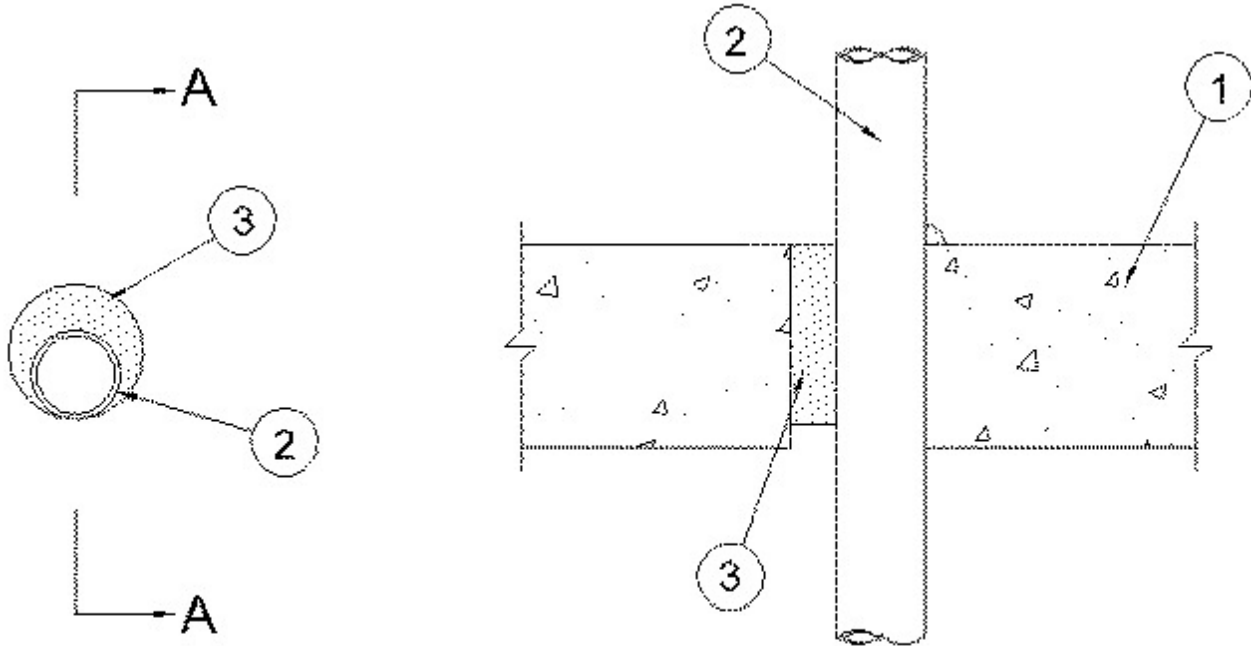


System No. C-AJ-2487

August 30, 2004

F Rating — 2 Hr

T Rating — 2 Hr



SECTION A-A

1. **Floor or Wall Assembly** — Min 4-1/2 in. thick reinforced lightweight or normal weight (100-150 pcf) concrete. Wall may also be constructed of any UL Classified **Concrete Blocks***. Max diam of opening 3 in.

See **Concrete Blocks** (CAZT) category in Fire Resistance Directory for names of manufacturers.

2. **Polyvinyl Chloride (PVC) Pipe** — Nom 2 in. diam (or smaller) Schedule 40 solid core or cellular core PVC pipe for use in closed (process or supply) or vented (drain, waste or vent) piping systems. Annular space between pipe and periphery of the opening shall be min 0 in. (point contact) to max 5/8 in. Pipe to be rigidly supported on both sides of floor or wall.

3. **Fill, Void or Cavity Material* - Sealant** — Min 4 in. thickness of sealant applied within the annulus, flush with top surface of floor or both surfaces of wall. A min 1/2 in. diam bead of caulk shall be applied to the pipe/surface interface at the point contact location on the top surface of floor or both sides of wall.

RECTORSEAL — Biostop 500+

*Bearing the UL Classification Mark