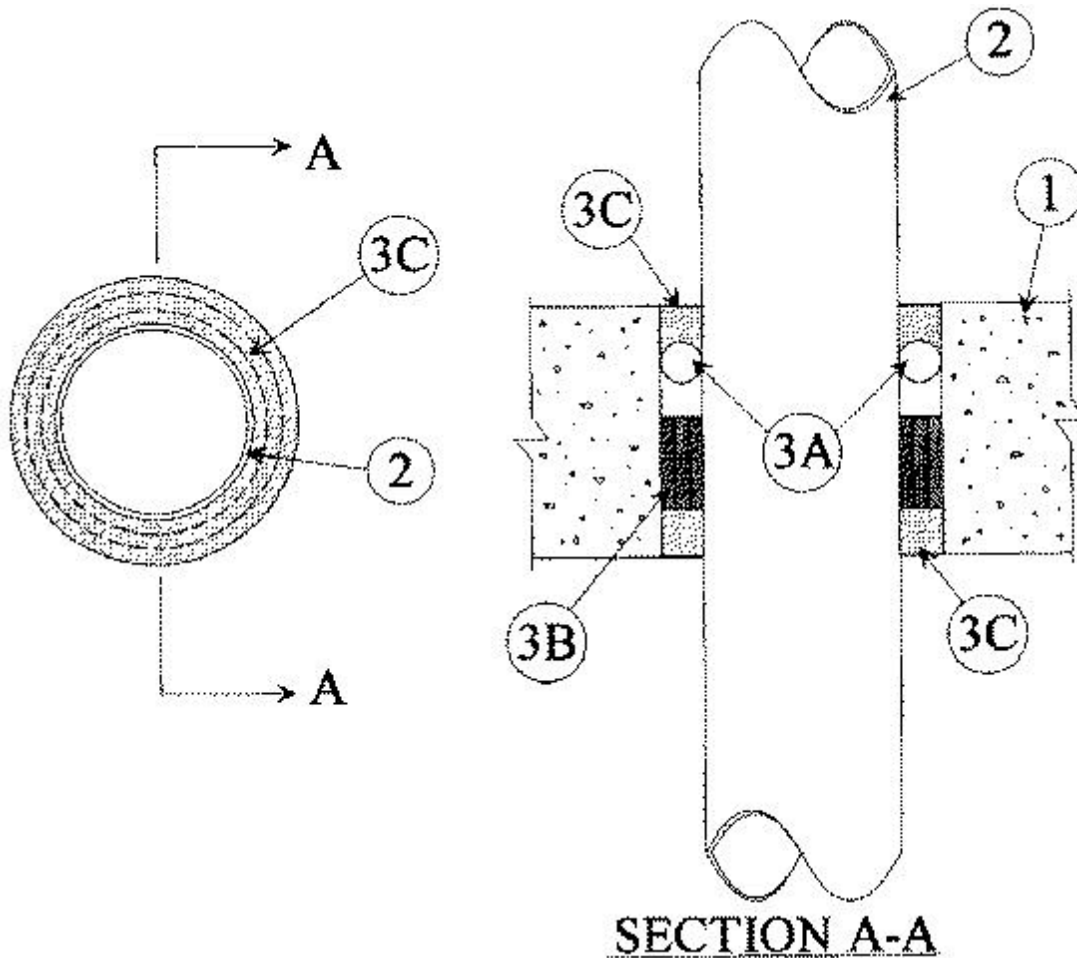


System No. C-AJ-2179

December 09, 1997

F Rating — 2 Hr

T Rating — 0 Hr



1. **Floor or Wall Assembly** — Min 4-1/2 in. thick reinforced lightweight or normal weight (100-150 pcf) concrete. Wall may also be constructed of any UL Classified **Concrete Blocks***. Max diam of opening is 6 in.

See **Concrete Blocks** (CAZT) category in the Fire Resistance Directory for names of manufacturers.

2. **Nonmetallic Pipe** — Nom 4 in. diam Schedule 40 cellular or solid core ABS pipe for use in closed (process or supply) or vented (drain, waste or vent) piping systems. One pipe to be centered within the firestop system. A nom annular space of 3/4 in. is required in the firestop system. Pipe to be rigidly supported on both sides of floor or wall assembly.

3. **Firestop System** — The firestop system shall consist of the following:

A. **Packing Material** — Foam backer rod firmly packed into opening as a permanent form. Packing material to be recessed from top surface of floor as required to accommodate the required thickness of fill material. Backer rod not required for walls.

B. **Fill, Void or Cavity Material*** — **Wrap Strip** — Nom 1/4 in. thick by 1-1/2 in. wide intumescent wrap strip. The wrap strip is continuously wrapped around the outer circumference of the pipe covering three times and slid into the annular space. When multiple wrap strips are used to achieve the required total length, the ends are to be butted end to end and held in place with aluminum tape. The bottom edge of the wrap strip shall be recessed 1/2 in. from the bottom surface of the concrete floor. In walls, the wrap shall be installed on both surfaces of the wall such that the exposed edge of the wrap strip is recessed 1/2 in. from each side of the wall.

RECTORSEAL — Biostop Wrap Strip

C. Fill, Void or Cavity Material* — Caulk — Min 1/2 in. thickness of fill material applied within the annulus, flush with both surfaces of floor or wall.

RECTORSEAL — Biostop 500+

*Bearing the UL Classification Mark