

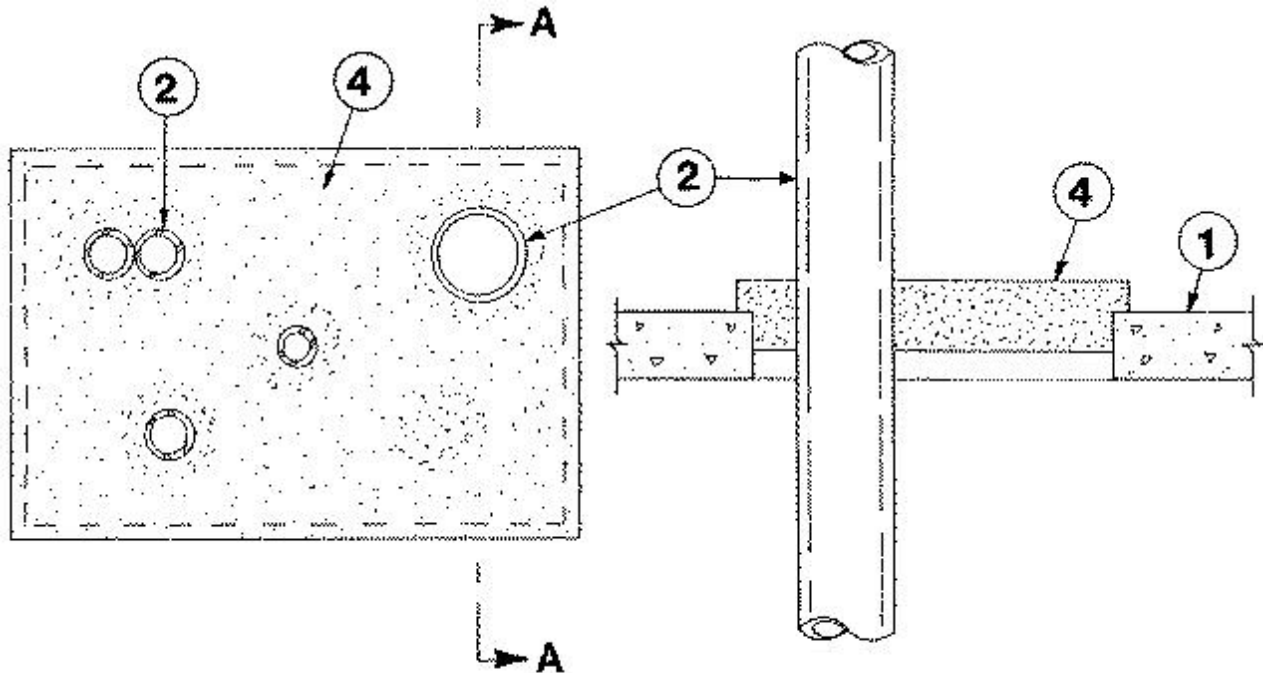
System No. C-AJ-2014

June 05, 2004

(Formerly System No. 249)

F Rating — 2 Hr

T Rating — 1/2 Hr



SECTION A-A

1. **Floor or Wall Assembly** — Min 4-1/2 in. thick reinforced lightweight or normal weight (100-150 pcf) concrete. Wall may also be constructed of any UL Classified **Concrete Blocks***. Max area of opening 864 sq in. with max dimension of 36 in.

See **Concrete Blocks** (CAZT) category in the Fire Resistance Directory for names of manufacturers.

2. **Nonmetallic Pipe*** — **Glass Pipe** — Nom 6 in. diam (or smaller) glass pipe. For use in closed (process or supply) or vented (drain, wasted or vent) piping systems. Pipe to be rigidly supported on both sides of floor or wall assembly. The space between pipes shall be min 1 in. The space between pipes and periphery of opening shall be min 1/4 in. Pipe couplings to be located min 12 in. from floor or wall surfaces.

SCHOTT NORTH AMERICA INC

3. **Forms** — (Not Shown) — Forms to be a rigid sheet material, cut to fit the contour of the penetrating item and fastened to the underside of the floor or both sides of wall. Forms to be removed after fill material has cured. As an option in floor assemblies, the forming material may be installed within the through opening such that its top surface is recessed a min of 2 in. from the top surface of the floor. When the top surface of the forming material is less than 4 in. from the top surface of the floor, a square or rectangular "curb" of mortar fill material shall be cast on the top surface of the floor to attain the required overall mortar fill material thickness. The "curb" shall lap a min of 1 in. on the concrete floor on all sides of the through opening. Forming material to be removed after fill material has cured.

4. **Fill, Void or Cavity Materials** — **Mortar** — Min 4-1/2 in. thickness of fill material applied within annulus. Material to be mixed with water in accordance with the mixing instructions on the bag and pumped or troweled into the through opening.

RECTORSEAL — Bio K10+ Mortar

*Bearing the UL Classification Mark