

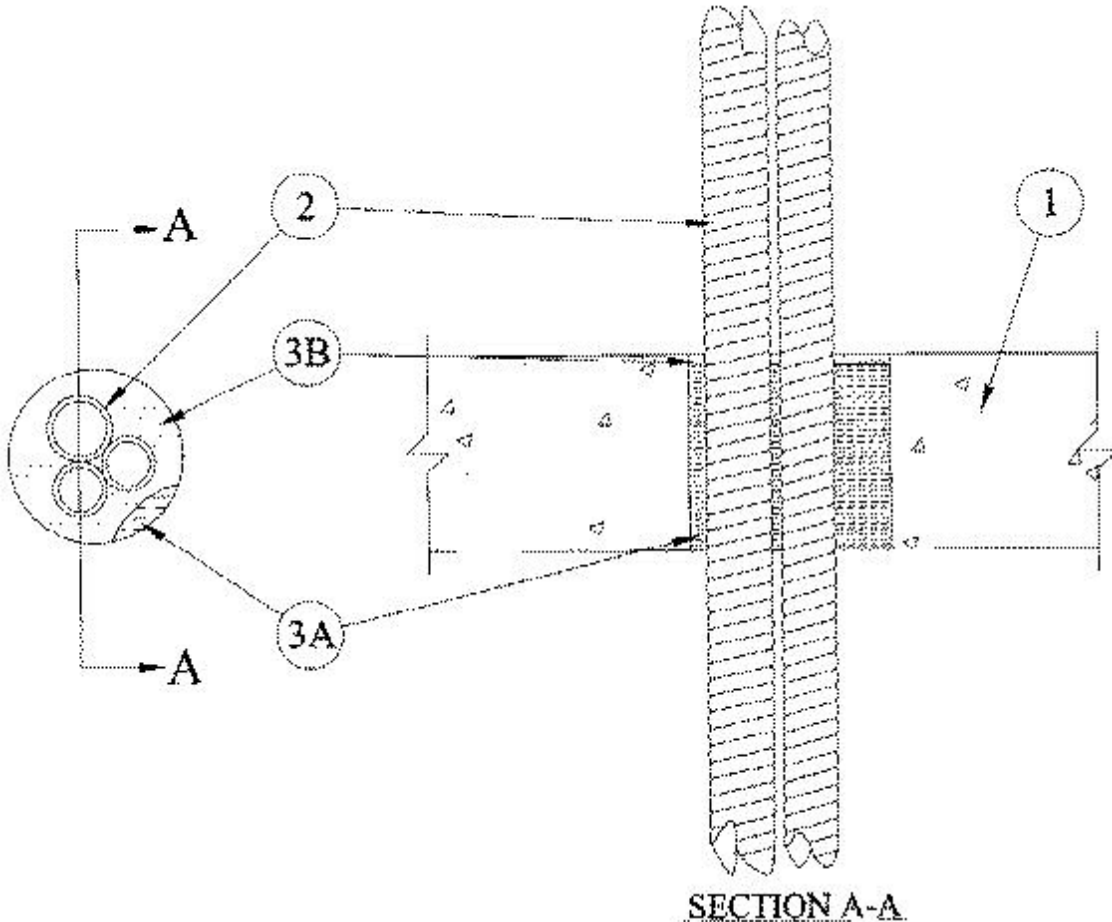


### System No. C-AJ-1330

December 03, 1999

F Rating — 3 Hr

T Rating — 2 Hr



1. **Floor or Wall Assembly** — Min 4-1/2 in. thick reinforced lightweight or normal weight (100-150 pcf) concrete. Wall may also be constructed of any UL Classified **Concrete Blocks\***. Max diam of opening is 4 in.

See **Concrete Blocks** (CAZT) category in the Fire Resistance Directory for names of manufacturers.

2. **Through Penetrating Product\***—**Flexible Metal Piping** — A max of three nom 1-1/4 in. diam (or smaller) steel flexible metal piping to be installed within the firestop system. The annular space between pipes and periphery of opening shall be min 1/8 in. to max 1/4 in. The annular space between pipes and periphery of opening shall be min 1/4 in. to max 1-1/2 in. Pipes to be rigidly supported on both sides of floor or wall assembly.

**OMEGA FLEX INC**

**GASTITE, DIV OF TITFLEX**

**WARD MFG INC**

3. **Firestop System** — The firestop system shall consist of the following:

A. **Packing Material** — Min 4-1/4 in. thickness of min 4 pcf mineral wool batt insulation firmly packed into opening as a permanent form. Packing material to be recessed from top surface of floor or from both surfaces of wall as required to accommodate the required thickness of fill

material.

**B. Fill, Void or Cavity Material\* — Caulk** — Min 1/4 in. thickness of fill material applied within the annulus, flush with top surface of floor or with both surfaces of wall.

**RECTORSEAL** — Biostop 500+Caulk

\*Bearing the UL Classification Mark