



System No. C-AJ-1256

July 27, 2006

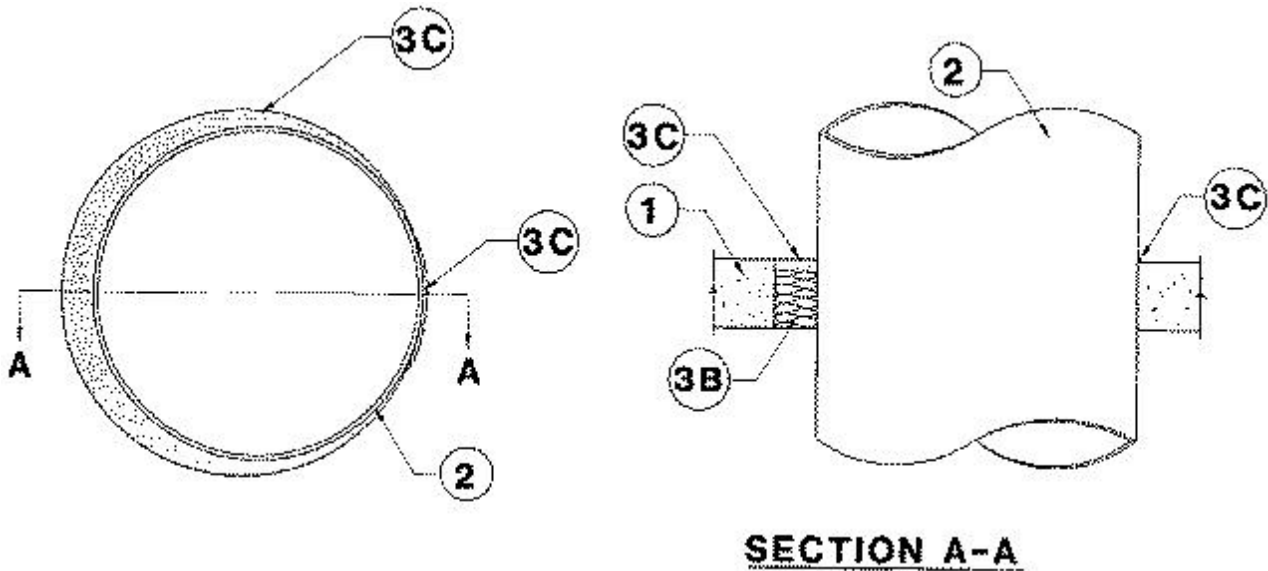
F Rating — 2 Hr

T Rating — 0 Hr

L Rating at Ambient — Less Than 1 CFM/sq ft

L Rating at 400 F — 3 CFM/sq ft

W Rating — Class 1



1. **Floor or Wall Assembly** — Min 4-1/2 in. thick reinforced lightweight or normal weight (100-150 pcf) concrete floor or min 5-1/4 in. thick reinforced lightweight or normal weight concrete wall. Wall may also be constructed of any UL Classified **Concrete Blocks***. Max diam of opening is 26 in.

See **Concrete Blocks** (CAZT) category in the Fire Resistance Directory for names of manufacturers.

2. **Through Penetrants** — One metallic pipe, conduit or tubing to be installed either concentrically or eccentrically within the firestop system. Pipe, conduit or tubing to be rigidly supported on both sides of wall assembly. The following types and sizes of metallic pipes, conduits or tubing may be used:

A. **Steel Pipe** — Nom 20 in. diam (or smaller) Schedule 40 (or heavier) steel pipe. The annular space shall be min 3/4 in. to max 3 in.

B. **Iron Pipe** — Nom 6 in. diam (or smaller) cast or ductile iron pipe. The annular space shall be min 3/4 in. to max 3 in.

C. **Conduit** — Nom 4 in. diam (or smaller) electrical metallic tubing or steel conduit. The annular space shall be min 3/4 in. to max 3 in.

D. **Copper Tubing** — Nom 6 in. diam (or smaller) Type L (or heavier) copper tubing. The annular space shall be min 3/4 in. to max 3 in.

E. **Copper Pipe** — Nom 6 in. diam (or smaller) regular (or heavier) copper pipe. The annular space shall be min 3/4 in. to max 3 in.

3. **Firestop System** — The firestop system shall consist of the following:

A. **Steel Wire Mesh** — (Not Shown) — Where needed to aid in system installation in concrete block wall construction, No. 8 steel wire mesh or min 0.034 in. thick (20 MSG) galv sheet steel

may be formed, centered and installed within the through opening such that it is recessed a min of 1/8 in. from each surface of the wall.

B. Packing Material — Min 3-3/4 in. thickness of min 4.0 pcf mineral wool batt insulation firmly packed into opening as a permanent form. Packing material to be recessed from top surface of floor or from both surfaces of wall as required to accommodate the required thickness of fill material.

C. Fill, Void or Cavity Material* — Caulk - Min 3/4 in. thickness of fill material applied within the annulus, flush with top surface of floor on both surfaces of wall.

RECTORSEAL — Biotherm 100 (floors or walls) on Biotherm 200 SL (floors only)

*Bearing the UL Classification Mark