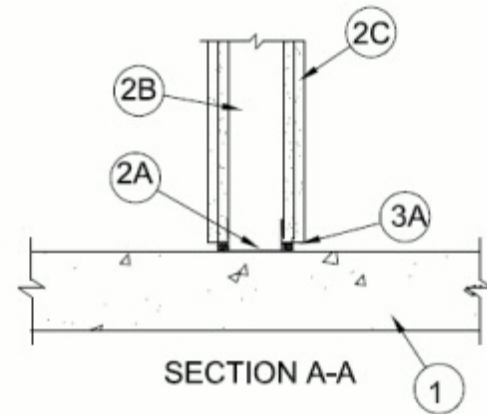
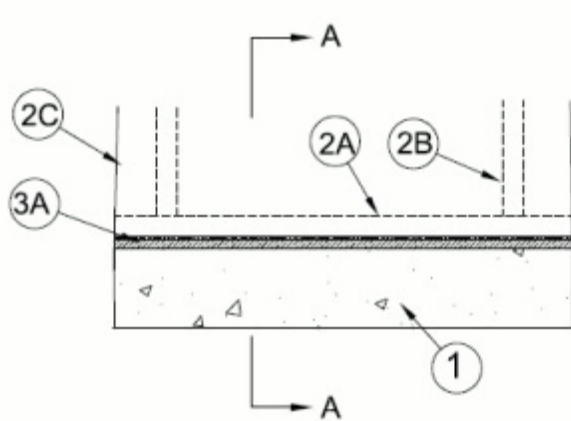


System No. BW-S-0044

June 13, 2017

ANSI/UL2079	CAN/ULC S115
Assembly Ratings — 1 and 2 Hr (See Item 2)	F Ratings — 1 and 2 Hr (See Item 2)
Nominal Joint Width - 1/2 In.	FT Ratings — 1 and 2 Hr (See Item 2)
L Rating at Ambient — Less than 1 CFM/Lin Ft	FH Ratings — 1 and 2 Hr (See Item 2)
L Rating at 400° F — Less than 1 CFM/Lin Ft	FTH Ratings — 1 and 2 Hr (See Item 2)
	Nominal Joint Width - 1/2 In. (13 mm)
	L Rating at Ambient — Less than 1.5 L/s/Lin M
	L Rating at 400° F — Less than 1.5 L/s/Lin M



1. Floor Assembly — Min 4-1/2 in. (114 mm) thick steel-reinforced lightweight or normal weight (100-150 pcf or 1600-2400 kg/m³) structural concrete.

2. Wall Assembly — The 1 or 2 hr fire-rated gypsum board/stud wall assembly shall be constructed of the materials and in the manner described in the individual U400, V400 Series or W400 Series Wall and Partition Design in the UL Fire Resistance Directory and shall include the following construction features:

A. Steel Floor Runners — Floor runners of wall assembly shall consist of min No. 25 ga galv steel channels sized to accommodate steel studs (Item 2B) with min 1-1/4 in. (32 mm) flanges. Ceiling runner is secured to concrete floor with steel fasteners spaced max 12 in. (305 mm) OC.

B. Studs — Steel studs to be min 3-1/2 in. (89 mm) wide. Studs cut 1/2 in. to 3/4 in. (13 to 19 mm) less in length than assembly height with bottom nesting in and secured to floor runner with sheet metal screws. Stud spacing not to exceed 24 in. (610 mm) OC.

C. Gypsum Board* — Gypsum board sheets installed to a min total thickness of 5/8 in. and 1-1/4 in. (16 and 32 mm) on each side of wall for 1 and 2 hr fire rated assemblies, respectively. Wall to be constructed as specified in the individual Wall and Partition Design in the UL Fire Resistance Directory, except that a max 1/2 in. (13 mm) gap shall be maintained between the bottom of the gypsum board and the top surface of the concrete floor.

The hourly fire rating of the joint system is dependent on the hourly fire rating of the wall assembly in which it is installed.

3. Joint System — The joint system consists of the following:

A. Fill, Void or Cavity Material* — Nom 1-1/2 in. (38 mm) high by 5/8 in. (16 mm) thick foam with integral 1.5 mm by 5/8 in. (16 mm) wide intumescent strip adhered to top surface. BlazeFoam to be compressed and inserted into joint between gypsum board and concrete floor,

against the floor runner, with the intumescent strip positioned at top of joint against the cut edge of the gypsum board. BlazeFoam is supplied in varying lengths and shall be cut to length and friction fit within the joint with ends tightly butted. Butt joints in the BlazeFoam shall be spaced minimum 40 in. (102 mm) apart. Blaze Foam applied within joint opening on both sides of wall.

RECTORSEAL — Blaze Foam

*** Indicates such products shall bear the UL or cUL Certification Mark for jurisdictions employing the UL or cUL Certification (such as Canada), respectively.**