



(800) 231-3345 www.biofireshield.com

Copyright - 2008 Underwriters Laboratories Inc.

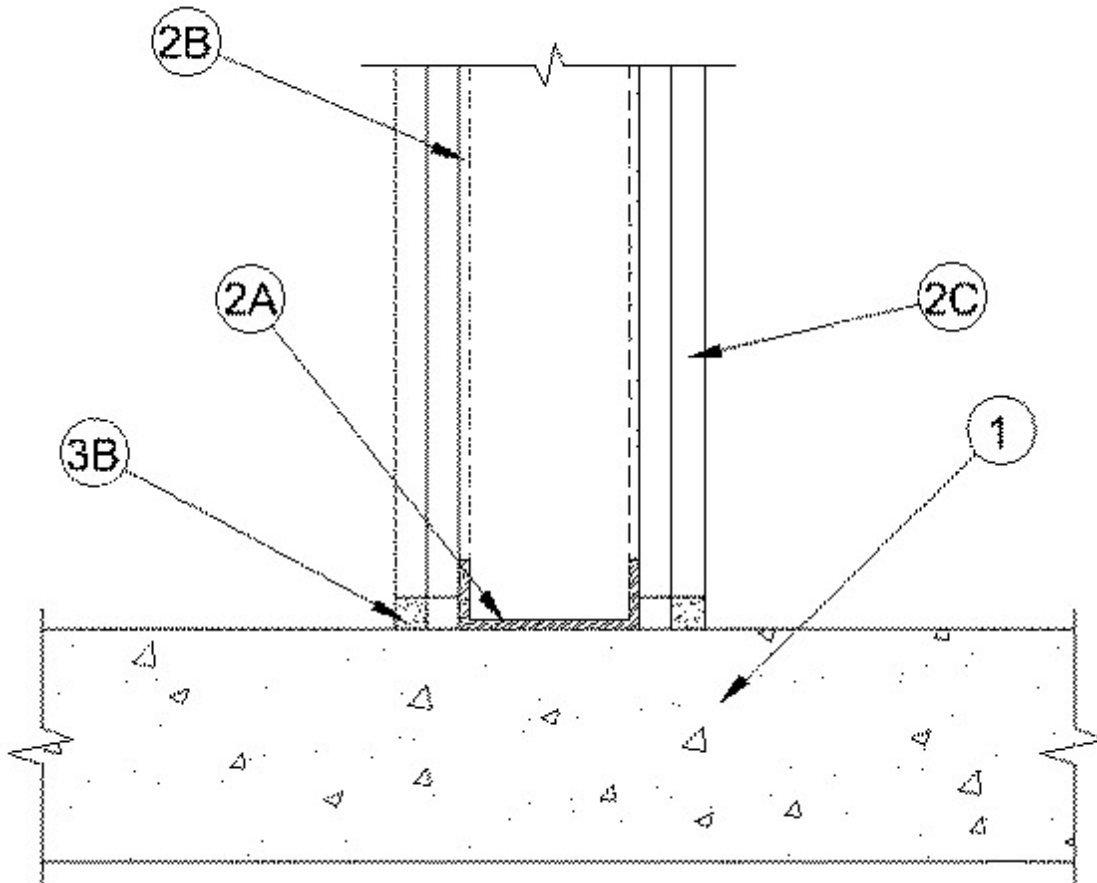
Reprinted from the 2008 Fire Resistance Directory with permission from Underwriters Laboratories Inc.



System No. BW-S-0011

July 15, 2014

ANSI/UL2079	CAN/ULC S115
Assembly Rating — 1 and 2 Hr (See Item 2)	F Rating — 1 and 2 Hr (See Item 2)
Nominal Joint Width - 1 In.	FT Rating — 1 and 2 Hr (See Item 2)
	FH Rating — 1 and 2 Hr (See Item 2)
	FTH Rating — 1 and 2 Hr (See Item 2)
	Nominal Joint Width - 25 mm



1. Floor Assembly — Min 4-1/2 in. (114 mm) thick reinforced lightweight or normal weight (100 -150 pcf or 1600-2400 kg/m³) structural concrete. Floor may also be constructed of any min 6 in. (152 mm) thick UL Classified hollow-core **Precast Concrete Units***.

See **Precast Concrete Units** category in the Fire Resistance Directory for names of manufactures.

2. Wall Assembly — The 1 or 2 h fire-rated gypsum board/steel stud wall assembly shall be constructed of the materials and in the manner specified in the individual U400, V400 or W400 Series Wall or Partition Design in the UL Fire Resistance Directory. In addition, the wall may incorporate a head-of-wall joint system constructed as specified in the HW Series Joint Systems in the UL Fire Resistance Directory. The wall shall include the following construction features:

A. Steel Floor Runner — Floor runners of wall assembly shall consist of min No. 25 gauge galv steel channels sized to accommodate steel studs (Item 2B). Floor runners to be provided with min 1-1/4 in. (32 mm) flanges. Runners secured with steel fasteners spaced 12 in. (305 mm) OC.

B. Studs — Steel studs to be min 3-5/8 in. (92 mm) wide. Studs cut 1/2 to 3/4 in. (13 to 19 mm) less in length than assembly height with bottom nesting in, resting on and fastened to floor runner with sheet metal screws. Stud spacing not to exceed 24 in. (610 mm) OC.

C. Gypsum Board* — Gypsum board installed to a min total thickness of 5/8 in. (16 mm) or 1-1/4 in. (32 mm) on each side of wall for a 1 or 2 hr rated wall, respectively. Wall to be constructed as specified in the individual U400 or V400 Series Design in the UL Fire Resistance Directory except that a max 1 in. (32 mm) gap shall be maintained between the bottom of the gypsum board and the top of the concrete floor.

The hourly ratings of the joint system are equal to the hourly fire rating of the wall.

3. Joint System — Max separation between top of floor and bottom of gypsum board is 1 in. (25 mm). The joint system consists of a packing material and a fill material, as follows:

A. Packing Material — (Optional, Not Shown) - Foam backer rod firmly packed into the gap between the bottom of the gypsum board and the top of the concrete floor and recessed from each surface of the wall to accommodate the required thickness of fill material.

B. Fill, Void or Cavity Material*-Sealant — Min 5/8 in. (16 mm) thickness of fill material installed on each side of the wall between the bottom of the gypsum board and the top of the concrete floor, flush with each surface of the wall.

RECTORSEAL — FlameSafe, FS 900+ FlameSafe FS 1900, Metacaulk 1000, Metacaulk MC 150+, Metacaulk 350i, Biostop 350i, Biostop BF 150+ or Biostop 500+

* Indicates such products shall bear the UL or cUL Certification Mark for jurisdictions employing the UL or cUL Certification (such as Canada), respectively.