

System No. W-L-2022

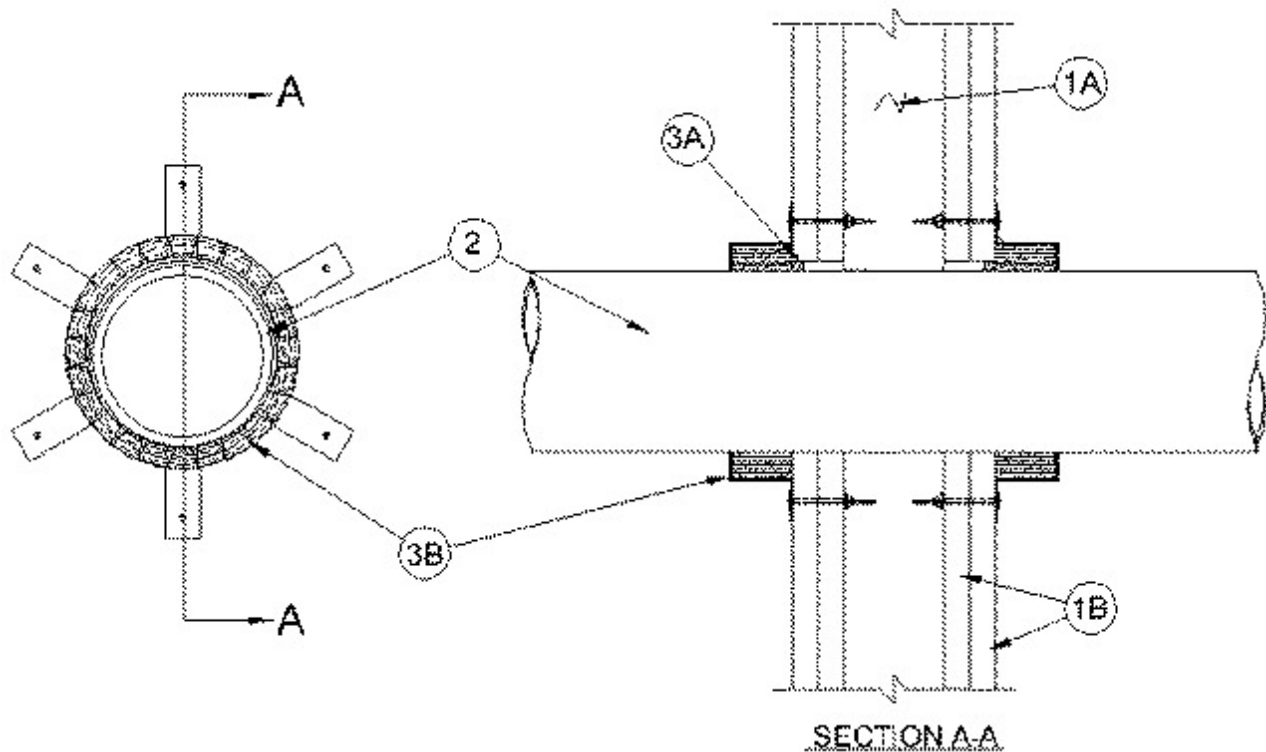
December 08, 2003

F Rating — 2 Hr

FT Rating — 2 Hr

FH Rating — 2 Hr

FTH Rating — 2 Hr



System tested with a pressure differential of 50 Pa between the exposed and the unexposed surfaces with the higher pressure on the exposed side.

1. Wall Assembly — The fire-rated gypsum board/stud wall assembly shall be constructed of the materials and in the manner specified in the individual U300 or U400 Series Wall and Partition Designs in the UL Fire Resistance Directory and shall include the following construction features:

A. Studs — Wall framing may consist of either wood studs or steel channel studs. Wood studs to consist of nom 51 by 102 mm (2 by 4 in.) lumber spaced 406 mm (16 in.) OC. Steel studs to be min 64 mm (2-1/2 in.) wide and spaced max 610 mm (24 in.) OC.

B. Gypsum Board* — Two layers of nom 16 mm (5/8 in.) thick gypsum board, as specified in the individual Wall and Partition Design. Max diam of opening is 178 mm (7 in.)

2. Through Penetrant — One nonmetallic pipe to be installed either eccentrically or concentrically within the firestop system. The annular space shall be min 0 mm (point contact) to max 10 mm (3/8 in.) Pipe or tube to be rigidly supported on both sides of wall assembly. The following types and sizes of pipes may be used:

A. Polyvinyl Chloride (PVC) Pipe — Nom 152 mm (6 in.) diam (or smaller) Schedule 40 cellular or solid core PVC pipe for use in closed (process or supply) or vented (drain, waste or vent) piping systems.

B. Chlorinated Polyvinyl Chloride (CPVC) Pipe — Nom 152 mm (6 in.) diam (or smaller) SDR 13.5 CPVC pipe for use in closed (process or supply) piping systems.

C. Acrylonitrile Butadiene Styrene (ABS) Pipe — Nom 152 mm (6 in.) diam (or smaller)
Schedule 40 cellular or solid core ABS pipe for use in closed (process or supply) or vented
(drain, waste or vent) piping systems.

3. Firestop Device* — Galv steel collar lined with an intumescent material sized to fit specific diam of the through penetrant. Device to be installed around through penetrant in accordance with accompanying installation instructions. Device incorporates anchor tabs for securement to wall by means of 1/4 in. by 2-3/4 in. long steel hollow wall anchors with 25 mm (1 in.) diam washers. Device secured at each tab. Collars are installed on each side of wall.

RECTORSEAL — Biostop Pipe Collar

4. Fill, Void or Cavity Materials* - Caulk — Min 6 mm (1/4 in.) thickness of fill material applied within the annulus, flush with both surfaces of wall.

RECTORSEAL — Biostop 500+

*Bearing the UL Classification Mark