

System No. W-J-2010

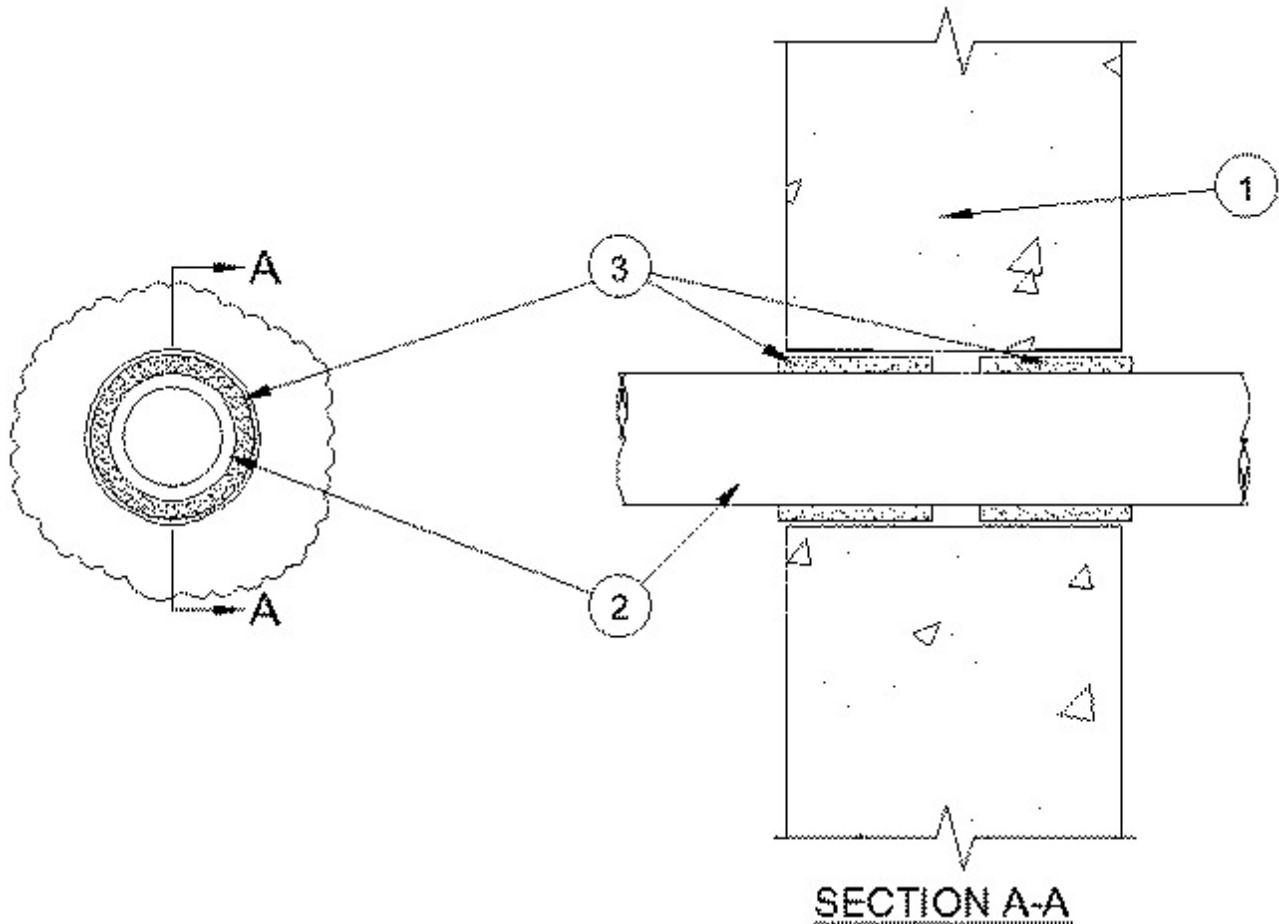
June 18, 2002

F Rating — 2 Hr

FT Rating — 0 Hr

FH Rating — 2 Hr

FTH Rating — 0 Hr



System tested with a pressure differential of 50 Pa between the exposed and the unexposed surfaces with the higher pressure on the exposed side.

1. **Wall Assembly** — Min 152 mm (6 in.) thick reinforced lightweight or normal weight (100-150 pcf) concrete. Wall may also be constructed of any UL Classified **Concrete Blocks***. Max diam of opening is 76 mm (3 in.).

See **Concrete Blocks** category in the Fire Resistance Directory for names of manufacturers.

2. **Through Penetrants** — One nonmetallic pipe to be centered within the firestop system. A nom annular space of 8 mm (5/16 in.) is required within the firestop system. Pipe to be rigidly supported on both sides of wall assembly. The following types and sizes of nonmetallic pipes may be used:

A. **Acrylonitrile Butadiene Styrene (ABS) Pipe** — Nom 51 mm (2 in.) diam (or smaller) Schedule 40 cellular or solid core ABS pipe for use in vented (drain, waste or vent) piping systems.

3. **Firestop System** — The firestop system shall consist of the following:

A. Fill, Void or Cavity Material* — Wrap Strip — One layer of nom 6 mm (1/4 in.) thick by 51 mm (2 in.) wide intumescent wrap strip tightly wrapped around the outer circumference of the pipe and slid into the annular space on each side of wall such that wrap strip extends 3 mm (1/8 in.) beyond both surfaces of wall. Wrap strip secured with tape, wire or tie wire.

RECTORSEAL — Biostop Wrap Strip

*Bearing the UL Classification Mark